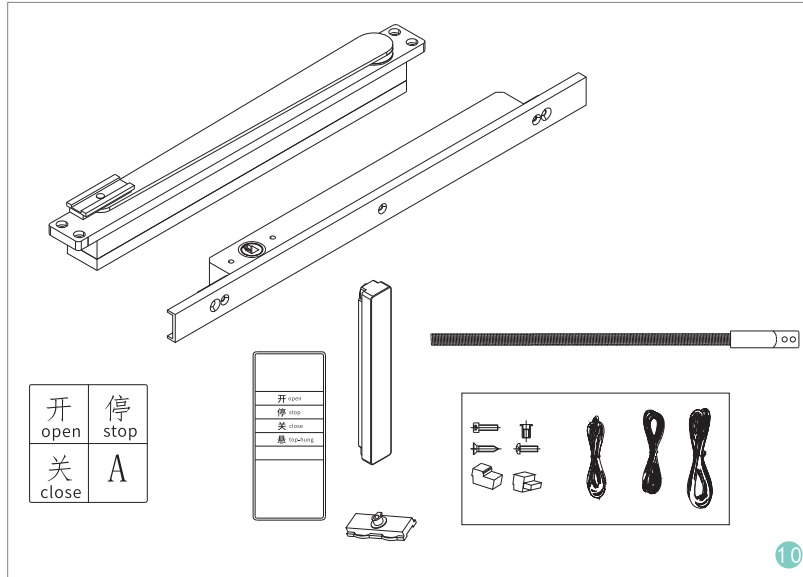


智能外开窗纱一体配置

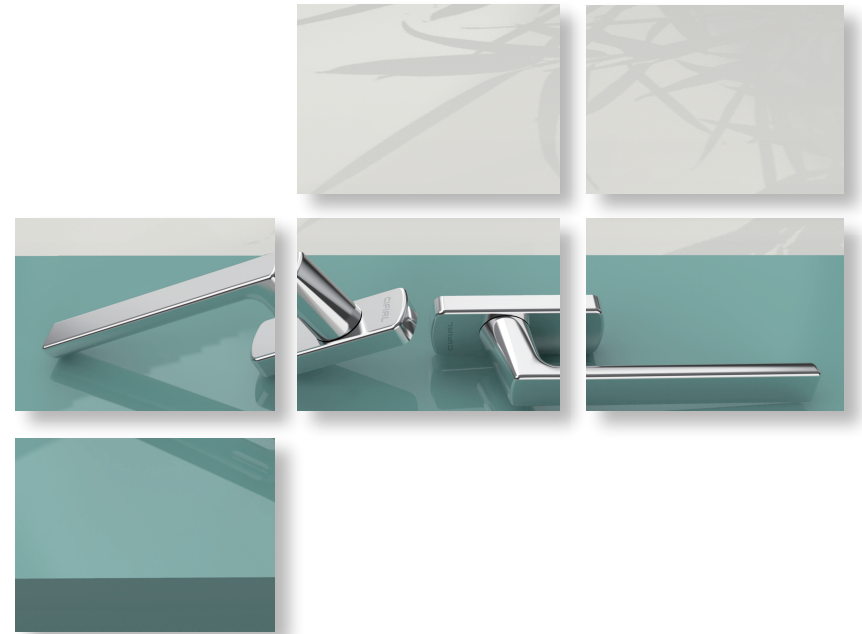
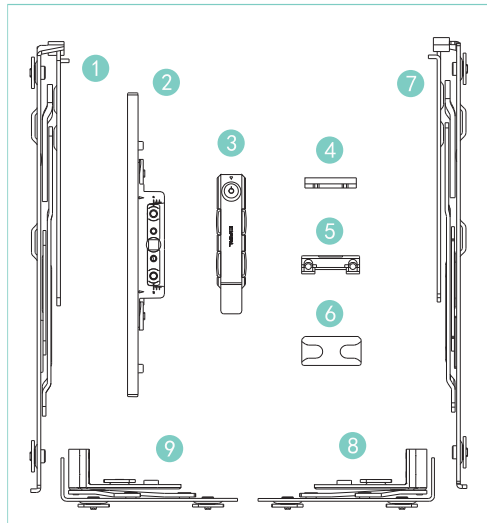
Intelligent Open-Out Screen & Window



门窗配件

Door and window accessories

1	ZHJ10-L	左视铰链 Friction stay - left	1
2	ZDA110T	可调传动器 Adjustable transmitter	1
3	ZGB10M	边传动杆 Side trans-rod	2
4	ZLC11A	支撑块 Supporting piece	1
5	ZLC10	支撑座 Supporting base	1
6	ZLP110	锁块 Locking piece	2
7	ZHY510-R	右视铰链 Friction stay - right	1
8	ZHJ10-R	隐藏式合页 hidden hinge - right	1
9	ZHJ10-L	隐藏式合页 Hidden hinge - left	1
10	ZWT100	智能电机组件 Motor set	1

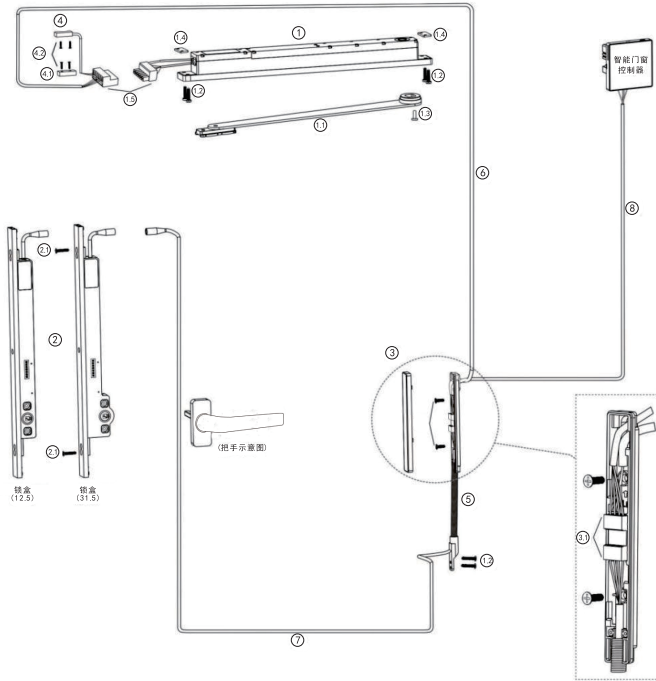


精装智能窗产品系列

Hardcover decoration
intelligent window series

智能电机组件配件清单

Intelligent System List



- | | |
|---|--|
| 1 平开 1台(set)
Side-open motor | 3 4P插头 1对(pair)
4p port |
| 11 滑臂 1个(pcs)
Arm | 4 到位开关(框) 1个(pcs)
Frame sensor |
| 12 十字圆头自攻螺丝M4X18 6颗(pcs)
M4×18 screw | 41 到位开关(扇) 1个(pcs)
Sash sensor |
| 13 机牙螺丝M5X10 1颗(pcs)
M5×10 screw | 42 十字沉头自攻螺丝M3X16 4颗(pcs)
M3×16 screw |
| 14 减震胶垫 2片(pcs)
Gasket | 5 过线管长350mm 1根(pcs)
350mm wire pipe |
| 15 6P插头 1对(pair)
6p port | 6 平开电源线 1根(pcs)
Side-open motor cable |
| 2 锁盒 1台(set)
Locking box | 7 锁盒电源线 1根(pcs)
Locking box cable |
| 21 十字沉头自攻螺丝M4X18 4颗(pcs)
Countersunk m4×18 screw | 8 智能门窗控制器连接线 1根(pcs)
Connecting cable |
| 3 接线盒 1套(set)
Wire box | |

适配窗型

Adapt to window type

1) 隐藏合页满足窗型规格: (窗宽×窗高) 750mm×1200mm

Hidden Hinge For Max Window Size W×h = 750×1200mm

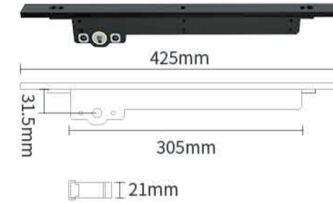
2) 隐藏铰链满足窗型比(高/宽)保持1.5:1

Friction Stay Required W:h = 1.5:1

智能电机

Intelligent Motor

执手电机 ■
Handle motor

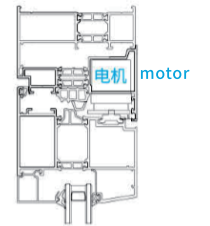
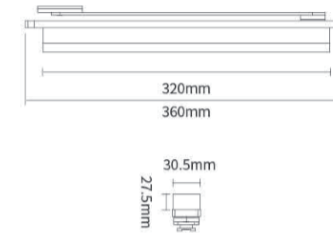


AMNCR锁盒(中心距31.5mm)
AMNC locking box(center distance 31.5mm)



AMNCR锁盒(中心距12.5mm)
AMNCR locking box(center distance 12.5mm)

驱动电机 ■
Drive motor



基本参数

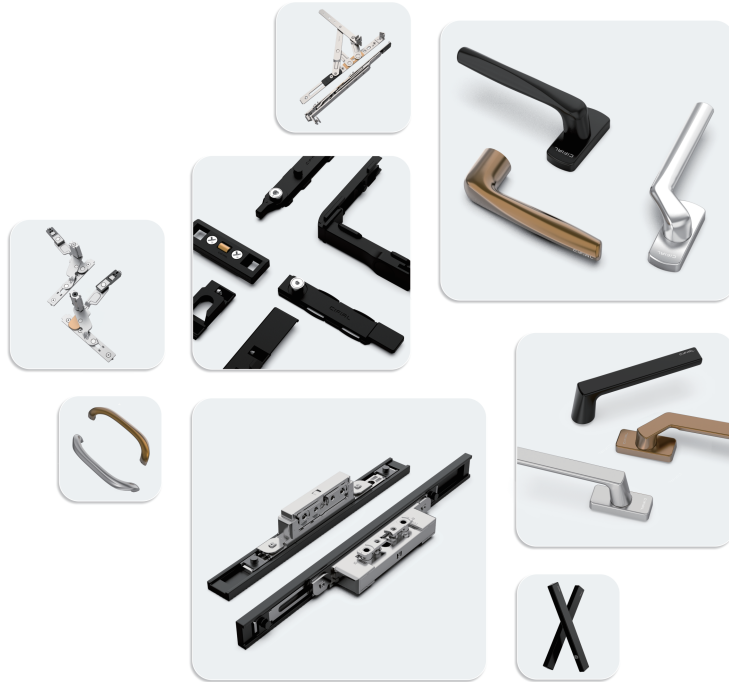
Basic parameters

额定电压 Rated voltage	24VDC	工作环境 Working condition	室内 (interior)
AMNCR 平开摆末端推力/拉力 AMNCR side-open push/ pull force	108N	AMNCR平开 Working condition	360mm*32mm*41mm
AMNCR 锁盒额定推力/拉力 AMNCR locking box push/ pull force	260N	AMNCR锁盒(31.5) AMNCR locking box(31.5)	425mm*25mm*55.5mm
工作温度 Working temperature	-20°C~55°C	AMNCR锁盒(12.5) AMNCR locking box(12.5)	425mm*25mm*35mm
工作湿度 Working humidity	0~90%RH, 无冷凝 (no condensation)		

* All rights reserved.
 * 版权由坚朗公司所有, 严禁翻版和影印。
 * 本公司产品已申请专利, 严禁仿制, 违者负法律责任。
 * 2024年3月印刷



关注斯飞奥科普了解更多资讯
 www.cifialhardware.cn



广东坚朗五金制品股份有限公司
 Guangdong Kinlong Hardware Products Co., Ltd.

东莞市塘厦镇坚朗路3号
 No.3, Jian Lang Rd., Tangxia Town,
 Dongguan City, China.

T: 0086-769-82166666 82136666
 F: 0086-769-82955240 82955241
 E: mail@kinlong.com
 H: www.kinlong.com

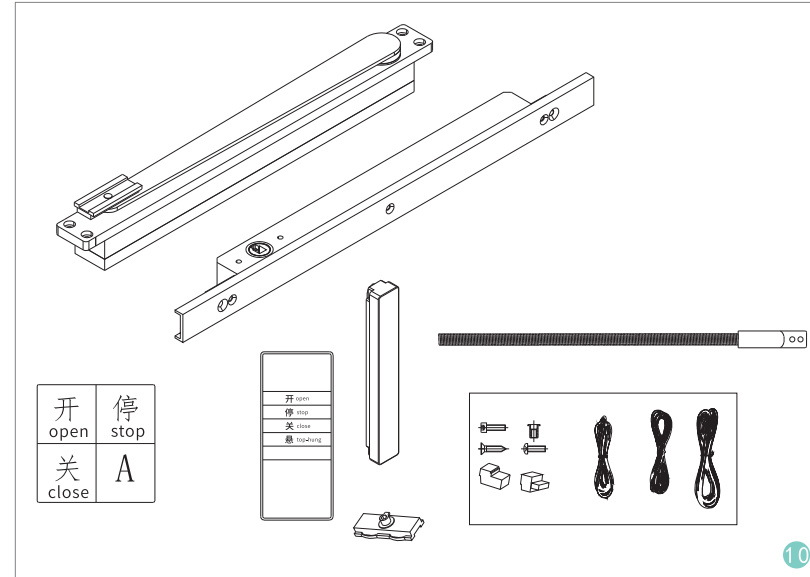
CIFIAL, S.A.
 Apartado 413
 4524-907 Riomeão
 PORTUGAL
 40°57' 29.20" N
 8°35' 11.40" W
 Tel: +351 256 780 100
 Fax: +351 256 783 395
 cifial@cifial.pt
 www.cifial.pt

CIFIAL UK, Ltd.
 7 Faraday Court
 Park Farm Industrial Estate
 Wellingborough,
 Northants NN8 6XY
 UK
 Phone: +44 1 933 402 008
 Fax: +44 1 933 402 063
 sales@cifial.co.uk
 www.cifial.co.uk

CIFIAL

智能内开内倒窗配置

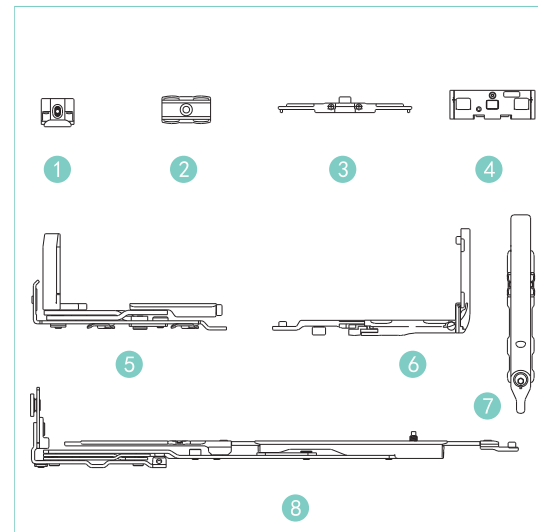
Intelligent Open-In and Tilt System



门窗配件

Door and window accessories

1	ZLP111	锁块 Locking piece	2
2	ZLC11A	支撑块 Supporting piece	1
3	ZFT10	防脱块 Anti-drop piece	1
4	ZLC12	支撑座 Supporting base	1
5	ZHY620-R	右下合页 Hinge-low right	1
6	ZJ110	转角器 Corner device	1
7	ZCX10A	翻转支撑 Tilt device	1
8	ZHY612-R	右上合页 Hinge-high right	1
9	ZN100	智能电机组件 Motor set	1



智能门窗控制系统

Intelligent Window/ Door Control System

产品特点

Product features

1. 可使用蓝牙遥控、控制面板、手机app多种方式控制
Can be controlled by cellphone App, control panel and blue teeth

蓝牙遥控器

Blue teeth remoteh

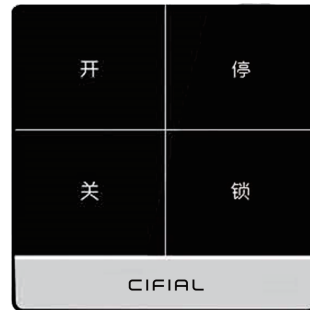
1. 采用BLE蓝牙低功耗通信, 纽扣电池供电, 待机时长1年以上;
Powerful button battery, standby time more then 1 year
2. 支持三路多设备, 可自定义左右两路设置控制的设备;
Can control multiple devices, can customize setting control
3. 磁吸底座设计, 安装简单, 收纳方便。
Magnetic base design, easily installed



智能门窗控制器

Intelligent control system

1. 控制器采用双核主控芯片, Wi-Fi及蓝牙连接, 智能云端控制;
Controller uses double core chip, connected by Wi-Fi and blue teeth
2. 控制器采用金牌级电源能效芯片, 绿色环保节能, 长期使用节约电能;
Controller has long standby time, energy saving and low power consumption
3. 自带电源变压, 24V安全电流输出;
With voltage transformer, change 220V to 24V.
4. 采用RS485总线与驱动器通信, 安全稳定。
Rs485 bus connects with controller stability



2. 自动关窗

Automatically close window

当遇到极端恶劣天气时,
雨水感应器可智能感应自动关窗。
Rain sensor can detect extreme weather
and close window automatically



遥控控制



手机控制



雨水感应



防夹手

智能电控系统

Intelligent Control System

3. 智能防夹

Intelligent induction

厘米级近距离感应

当窗扇阻力超过预设值时, 立即停止运动。

If detects obstacle during moving
stop immediately



4. 手动&智能无缝切换

Can switch to manual control easily

两种控制方式独立运行,

启闭力可控, 不会互相阻碍。

Manual and intelligent control work separately,
moving force is adjustable, no control resistance



智能APP界面

Intelligent APP interface



智能窗控制专用APP设计

Intelligent Window Control App Design

可手动调节窗户启闭状态
Can change to manual control mode

实现局域网内部控制
Local area network control



• 左右调节启闭 •

