

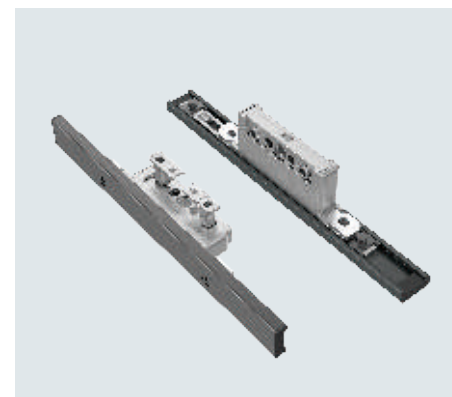
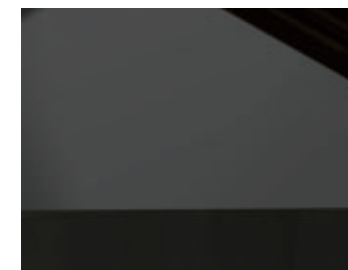
\* All rights reserved.  
 \* The copyright is owned by KINLONG Company.  
 Reproduction and photocopying are strictly prohibited.  
 \* The company's products have applied for Chinese patents,  
 and prevention is strictly prohibited. Violators shall bear legal responsibility.  
 \* Printed in January 2023

CIFIAL

CIFIAL  
DESIGN

CIFIAL  
百年传承 欧洲品牌

Hardcover Decoration Door and  
Window Hardware Products Catalogue



Guangdong Kinlong Hardware Products Co., Ltd.

No.3, Jian Lang Rd., Tangxia Town,  
Dongguan City, China.

T: 0086-769-82166666 82136666  
 F: 0086-769-82955240 82955241  
 E: mail@kinlong.com  
 H: www.kinlong.com

CIFIAL, S.A.

Apartado 413  
 4524-907 Riomeão  
 PORTUGAL  
 40°57' 29.20" N  
 8°35' 11.40" W  
 Tel: +351 256 780 100  
 Fax: +351 256 783 395  
 cifial@cifial.pt  
 www.cifial.pt

CIFIAL UK, Ltd.

7 Faraday Court  
 Park Farm Industrial Estate  
 Wellingborough,  
 Northants NN8 6XY  
 UK  
 Phone: +44 1933 402 008  
 Fax: +44 1933 402 063  
 sales@cifial.co.uk  
 www.cifial.co.uk

## Hardcover Decoration Door and Window Hardware Products Catalogue



WWW.CIFIAL.PT

## 斯飞奥品牌简介

斯飞奥CIFIAL，成立于1904年，葡萄牙波尔图（Porto），百年永不间断的技术创新和管理提升，竭力探索产品创新和工艺工程的尽善尽美，多年来对品质的坚持，其技术和产品已经成为建筑领域的传承工艺精神。并得到了国际认可，赢得了世界著名设计奖项。



图1 1904年CIF工厂生产场景



图2 40年代全体CIFIAL人员合影

斯飞奥CIFIAL所做的一切都源于不断创新，从产品设计到生产制造，处处体现出人性化的设计、绿色节能和工匠精神。斯飞奥CIFIAL产品设计和质量多年来得到了国际认可，赢得了世界著名设计奖项：如德国红点奖Reddot Award、德国IF设计奖、日本G-Mark设计奖、欧洲设计奖EDP、美国国际设计奖ADEX等。多年来斯飞奥CIFIAL对品质的坚持，其技术和产品已经成为建筑领域的传承工艺精神。

历经第一世界大战、第二次世界大战炮火的洗礼，斯飞奥CIFIAL在世界多次经济危机中保持发展活力，通过企业转型实现凤凰涅槃。超百年发展史中，坚持以精工细作的工艺，多年来获得客户的认可和在全球建筑界铸就了知名品牌。

2019年，致力于全球化的坚朗公司全资收购葡萄牙CIFIAL集团，将纯正的欧洲建筑五金产品引入中国市场，开启了把斯飞奥CIFIAL应用于中国精装房和家装业务新征程。



图3 德国红点设计奖



图4 德国IF设计奖



图5 2019年坚朗和CIFIAL签订收购协议

斯飞奥产品广泛应用于别墅、高端住宅、高档公寓、酒店、精装房和升级改造项目。使用斯飞奥，给您带来欧洲品牌的不同体验！！

## Maintenance instructions for hardware of hardcover decoration doors and windows

1. Please maintain the hardware regularly. The handle, hinge, hinge and other open functional parts should be decontaminated and dusted frequently. It is strictly prohibited to use corrosive chemicals to clean the product.
2. The movable and friction mechanism shall be properly lubricated regularly and kept clean, lubricated and free of blockage. If the screw is loose, please repair or replace it in time.
3. Please clean the profiles when installing the products on site to prevent foreign matters from affecting the normal opening of doors and windows.
4. The performance of doors and windows can be improved by adjusting the product due to the poor phenomena such as sagging and excessive gap due to processing accuracy or long-term use.
5. The hardware products need to be used together. If the product quality problems are caused by the use of non CIFIAL.

Be careful:

1. The product application in the catalogue is based on the conventional application environment. In the unconventional use environment, such as high salt, high humidity, high corrosion and offshore areas, please communicate with the technicians in advance.
2. The technical parameters and pictures of the products in the catalogue are for reference only, and the actual application shall be subject to the real object. We will not be responsible for the quality of the application beyond the use limit or the mixed use of other products that are not recognized by the commitment.
3. With the upgrading and progress of product technology, the parameters of some products will change without further notice.
4. To ensure customer satisfaction and reduce after-sales problems. If the product is not in complete set, please communicate with the technician when using the single product to ensure the safety of the product in use and understand the relevant complete set configuration.
5. The bearing capacity of the hardware in the atlas is related to the parameters such as door and window materials, glass thickness, width and height ratio. When selecting non-standard door and window types, please contact our technical service personnel.
6. The applicable window parameters shown in the atlas are based on laboratory environmental testing and historical application experience. Please conduct trial assembly and confirmation according to the actual application conditions. The parameters in this atlas are not used as the basis for any litigation and compensation.
7. The products shall not be stored in the open air before installation to avoid exposure to the sun and rain.

## Nordic simple series handle color

Oxidation treatment:



Paint baking treatment:



## Nordic simplicity

Quiet, simple and extraordinary





**Luxury and fashion**  
Concise and elegant, luxurious but not flashy

The picture is for reference only, and the product is subject to the real object

Light fashion series handle color matching

Oxidation treatment:

- YH Fashion Silver
- YH Starry Grey
- YH bronze

Paint baking treatment:

- KQ Fashion Silver
- KQ Starry Grey
- KQ bronze
- KQ light inky black



Please transfer to page 22 for details



# 新中式系列执手配色

Oxidation treatment:

-  YH Fashion Silver
-  YH Starry Grey
-  YH bronze



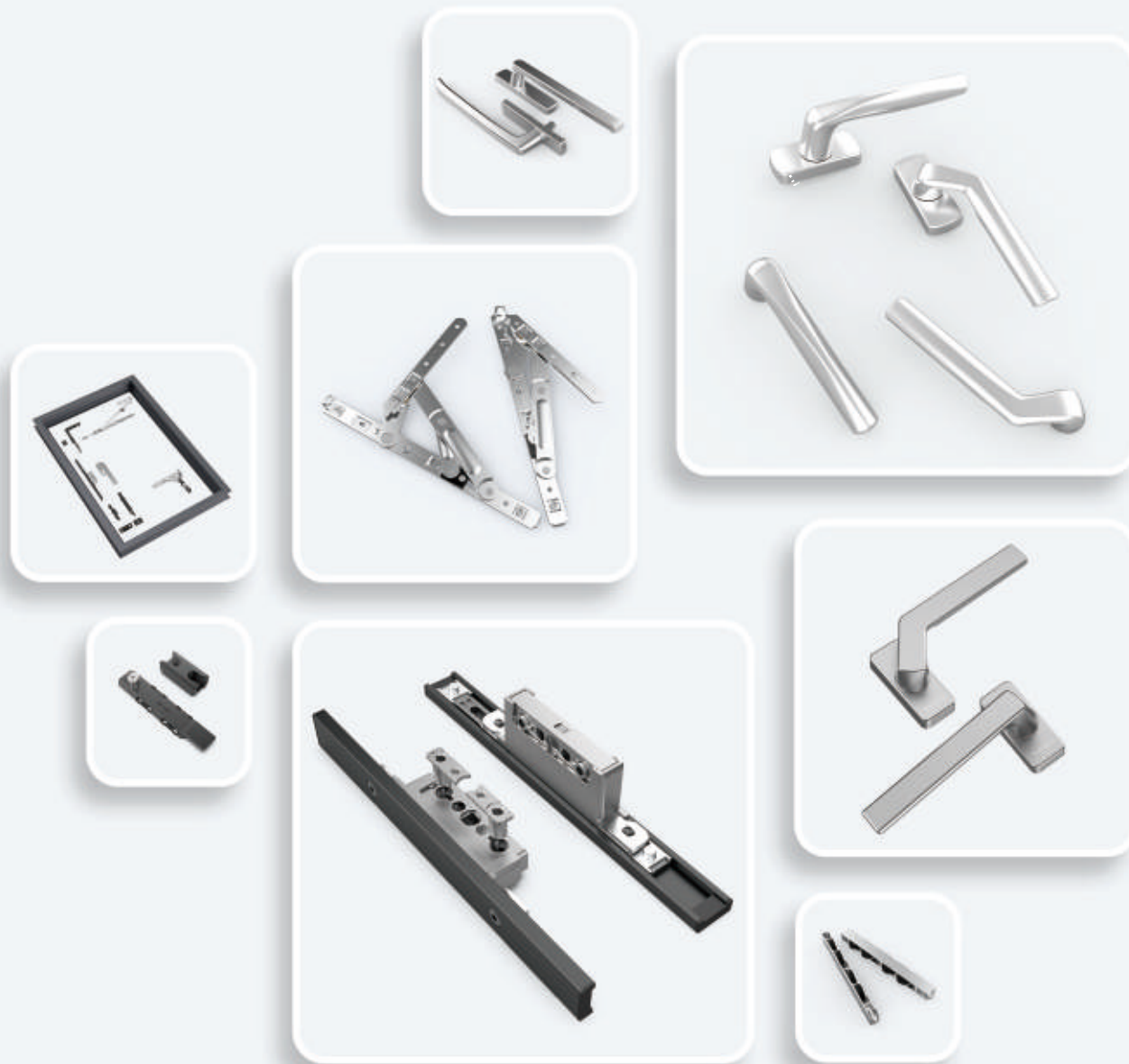
## 新中式

清雅含蓄、端庄风华

The picture is for reference only, and the product is subject to the real object



- ◆ Focus on R&D and innovation of high-end hardcover doors and windows hardware
- ◆ Focus on matching product style with decoration style
- ◆ Focus on product experience and appearance
- ◆ Focus on product safety



**Hardware system**

Open-in top hung window system	001-002
Window screen integrated system	003-006
Door and window integrated system	007-008
Narrow side swing door system	009-010
Narrow side lifting door system	011-012
Sliding folding door system	013-014
Heavy duty sliding door system	015-016
Lifting sliding door system	017-018

**CATALOGUE**

**Product range**

Window handle series	019-023
Functional handle series	024-025
Door handle series	026-029
Handle&sliding lock series	030-033
Hinge series	034-041
Transmitter series	042-044
Door lock series	045
Transmission rod series	046-050
Flat- opening lock plate series	051
sliding lock latch series	052
Other series	053-054
Pulley series	055-060
Yarn mesh series	061-062





ZND100

OPEN-IN TOP HUNG WINDOW SYSTEM

ZND100 Concealed horizontal pivoting window hardware system

ZND100 HORIZONTAL PIVOTING WINDOW CONFIGURATION ACCESSORIES LIST

Item	Name of accessories	Code	Quantity	Remark
1	Square steel handle	ZS10	1	Optional handle appearance, mechanical sound and oxidation treatment
2	Transmitter	ZDA210	1	Silver/black, optional
3	Hidden Top Right Hinge	ZHY612-R	1	Optional 180 degree hinge ZHY613, surface mounted hinge ZH210, left and right
4	Hidden Bottom Right Hinge	ZHY620-R	1	Optional 180 degree hinge ZHY623, surface mounted hinge ZH211, left and right
5	Anti error corner device	ZJ110	1	
6	Latch	ZCX10	1	
7	Lock block	ZLP111	1	
8	Lock block	ZFT10	1	
9	Support base	ZLC12	1	
10	Support block	ZLC11	1	
11	Limiter	ZFX10-12	1	Specification depends on window type, optional

NT OPEN-IN CASEMENT SCREEN WINDOW CONFIGURATION ACCESSORIES LIST

Item	Name of accessories	Code	Quantity	Remark
1	Concealed spring lock	ZSQ20SY	1	Oxidation, optional
2	Main transmission rod	ZGZ10	1	
3	Side transmission rod	ZGB10M	2	Anti theft lock point
4	Lock block	ZLP110	2	Anti theft lock block
5	Screen hinge	ZHY512-L	1	Left and right, quick disassembly and assembly, bearing 10KG
6	Screen hinge	ZHY512-R	1	Left and right, quick disassembly and assembly, bearing 10KG

WT OPEN-OUT CASEMENT SCREEN WINDOW CONFIGURATION ACCESSORIES LIST

Item	Name of accessories	Code	Quantity	Remark
1	Square steel handle	ZSW10-R	1	Optional handle appearance, mechanical sound and oxidation treatment
2	Transmitter	ZDA110T	1	Center distance is adjustable 11-16mm, optional
3	Side transmission rod	ZGB10M	2	Anti theft lock point
4	Lock block	ZLP110	2	Anti theft lock block
5	Screen hinge	ZHY511-L	1	It can be divided into left and right parts, and can bear 15KG
6	Screen hinge	ZHY511-R	1	It can be divided into left and right parts, and can bear 15KG
7	Support base	ZLC10	1	Options
8	Support block	ZLC11	1	Options
9	Limiter	ZFX10-12	1	Specification depends on window type, optional

CONFIGURATION SPECIFICATION

1. The horizontal pivoting window can meet the window type with the width of 470-750mm and the height of 880-1500mm.
2. Please maintain the hardware regularly. The basic bearing capacity of the horizontal pivoting window is 90kg. It is recommended that the window type ratio (height/width) be kept at 1.5:1.
3. Configuration description: the configuration of the horizontal pivoting window + open-in screen window is ZND100-NT; The horizontal pivoting window + open-out screen is: ZND100-WT.

ZWT100

WINDOW SCREEN INTEGRATED HARDWARE SYSTEM

ZWT100 WINDOW SCREEN INTEGRATED HARDWARE SYSTEM

OPEN-IN CASEMENT SCREEN WINDOW CONFIGURATION ACCESSORIES LIST

Item	Name of accessories	Code	Quantity	Remark
1	Square steel handle	ZS10	1	Optional handle appearance, mechanical sound and oxidation treatment
2	Transmitter	ZDA110T	1	Center distance is adjustable 11-16mm, optional
3	Side transmission rod	ZGB10M	2	Anti theft lock point
4	Lock block	ZLP110	2	Anti theft lock block
5	Screen hinge	ZHY510-L	1	It can be divided into left and right parts, and can bear 10KG
6	Screen hinge	ZHY510-R	1	It can be divided into left and right parts, and can bear 10KG
7	Support base	ZLC10	1	Options
8	Support block	ZLC11	1	Options
Wire mesh accessories	wire mesh	Apennine alloy invisible yarn mesh	0.8—2.5	Wire mesh products, optional

OPEN-OUT CASEMENT SCREEN WINDOW CONFIGURATION ACCESSORIES LIST

Item	Name of accessories	Code	Quantity	Remark
9	Square steel handle	ZSW10-R	1	Optional handle appearance, mechanical sound and oxidation treatment
10	Transmitter	ZDA120T	1	Center distance is adjustable 25-32mm, optional
11	Side transmission rod	ZGB10M	2	Anti theft lock point
12	Lock block	ZLP110	2	Anti theft lock block
13	Hide hinge	ZHJ10-R	1	It can be divided into left and right parts, and can bear 60KG
14	Hide hinge	ZHJ10-L	1	It can be divided into left and right parts, and can bear 60KG
15	Support base	ZLC10	1	Options
16	Support block	ZLC11	1	Options

CONFIGURATION SPECIFICATION

1. Hinge bearing capacity: ≤ 60kg, window specification: (window width \* window height) 600mm \* 1200mm, recommended window type ratio (height/width) is 1.5:1.
2. Bearing capacity of screen hinges: ≤ 10kg, it is recommended that the window type ratio (height/width) be kept at 1.5:1.
3. Please maintain the hardware regularly.
4. Open windows should not be used in rainy days or in weather with wind force above.
5. Two types of wire mesh can be selected. Please refer to P61-P62 of the product performance introduction.
6. Hardware products need to be used together. If product quality problems are caused by the use of non CIFIAL brand products, they will not enjoy relevant after-sales services.





ZNT100

WINDOW SCREEN INTEGRATED HARDWARE SYSTEM

ZNT100 WINDOW SCREEN INTEGRATED HARDWARE SYSTEM

OPEN-OUT CASEMENT SCREEN WINDOW CONFIGURATION ACCESSORIES LIST

Item	Name of accessories	Code	Quantity	Remark
1	Square steel handle	ZSW10-R	1	Optional handle appearance, mechanical sound and oxidation treatment
2	Transmitter	ZDA110T	1	Center distance is adjustable 11-16mm, optional
3	Side transmission rod	ZGB10M	2	Anti theft lock point
4	Lock block	ZLP110	2	Anti theft lock block
5	Screen hinge	ZHY511-L	1	It can be divided into left and right parts, and can bear 15KG
6	Screen hinge	ZHY511-R	1	It can be divided into left and right parts, and can bear 15KG
7	Support base	ZLC10	1	Options
8	Support block	ZLC11	1	Options
9	Limiter	ZFX10	1	Specification depends on window type, optional
Wire mesh accessories	wire mesh	Apennine alloy invisible yarn mesh	0.8—2.5	Wire mesh products, optional

OPEN-IN CASEMENT SCREEN WINDOW CONFIGURATION ACCESSORIES LIST

Item	Name of accessories	Code	Quantity	Remark
10	Square steel handle	ZS10	1	Optional handle appearance, mechanical sound and oxidation treatment
11	Transmitter	ZDA120T	1	Center distance is adjustable 11-16mm, optional
12	Side transmission rod	ZGB10M	2	Anti theft lock point
13	Lock block	ZLP110	2	Anti theft lock block
14	Screen hinge	ZHY621-L	1	It can be divided into left and right parts, and can bear 60KG
15	Screen hinge	ZHY621-R	1	It can be divided into left and right parts, and can bear 60KG
16	Support base	ZLC10	1	Options
17	Support block	ZLC11	1	Options

CONFIGURATION SPECIFICATION

1. Hinge bearing capacity:  $\leq 60\text{kg}$ , window specification: (window width \* window height) 750mm \* 1200mm, recommended window type ratio (height/width) is 1.5:1.
2. The external screen window must be equipped with air support/limiter. Please keep it normally closed to avoid damage to hardware caused by excessive wind. Bearing capacity of screen hinges:  $\leq 15\text{kg}$ , it is recommended that the window type ratio (height/width) be kept at 1.5:1
3. Please maintain the hardware regularly. Open windows should not be used in rainy days or in weather with wind force above
4. Two types of wire mesh can be selected, refer to the product performance introduction.
5. Hardware products need to be used together. If product quality problems are caused by the use of non CIFIAL brand products will not enjoy relevant after-sales services.

ZDM100 Interior inverted window+casement window

ACCESSORIES LIST

Item	Name of accessories	Code	Quantity	Remark
1	Square steel handle	ZS10	1	Optional handle appearance, mechanical sound and oxidation treatment
2	Transmitter	ZDA211	1	Optional ZDA210
3	Corner device	ZJ110	1	
4	Corner device	ZJ210	3	
5	Lock block	ZLP111	2	
6	Lock block	ZLP114	2	
7	Lock block	ZLP116	2	
8	pull rod	ZLG111	1	
9	Connecting linkage	ZGZ22M	1	
10	Middle transmission rod	ZGZ21M	2	
11	Upper hinge	ZH210-R	1	Left and right
12	Bottom hinge	ZH211-R	2	Left and right
13	Upper hinge	ZH212-R	1	Left and right

RECOMMENDED HANDLE



ZS10



ZS30

See P20 for more options of handle series products

Oxidation treatment



Paint baking treatment:



CONFIGURATION SPECIFICATION

1. The basic bearing capacity is 120kg. It can meet the door type within the range of 500-900mm wide and 2200mm high.
2. Please maintain the hardware regularly
3. It shall be used for indoor partition.

ZDM100

DOOR AND WINDOW INTEGRATED HARDWARE SYSTEM



## ZBM100

Narrow side swing door hardware system

## ZBM100 Narrow side swing door hardware system

## ACCESSORIES LIST

Item	Name of accessories	Code	Quantity	Remark
1	Door handle	ZSQ210	1	Left and right
2	Hinge	ZSQ110-L/R	2	Options

## CONFIGURATION SPECIFICATION

1. Bearing capacity of stainless steel hinge:  $\leq 40\text{kg}$
2. Please maintain the hardware regularly
3. Hardware products need to be used together. If product quality problems are caused by the use of non CIFIAL brand products will not enjoy relevant after-sales services.



# ZDT100

HARDWARE SYSTEM OF EXTREMELY NARROW SLIDING DOOR



## ZDT100 HARDWARE SYSTEM OF EXTREMELY NARROW SLIDING DOOR

### ACCESSORIES LIST

#### buffer hoisting system

Item	Name of accessories	Code	Product pictures (the quantity is subject to the drawing)	Guide rail diagram
1	C-type quick release two-way buffer lifting wheel system (recommended)	ZDTK10		
2	General one-way buffering system	ZDTC10		
3	General bi-directional buffering system	ZDTC20		

#### Linkage buffer hoisting system

Item	Name of accessories	Code	Product pictures (the quantity is subject to the drawing)
1	2+0 type synchronous double leaf linkage accessories	ZDTL20	
2	2+1 type synchronous double leaf linkage accessories	ZDTL21	
3	3+0 type synchronous double leaf linkage accessories	ZDTL30	
4	3+1 type synchronous double leaf linkage accessories	ZDTL31	
5	2+2 type synchronous double leaf linkage accessories	ZDTL22	

#### Handle

1	handle	ZDTS10	
---	--------	--------	--

### CONFIGURATION SPECIFICATION

- 1、 Buffer hoisting system takes one sash as a set, and each sash is equipped with sliding configuration. It is recommended to equip two handles
- 2、 The optimum load of the buffer hoisting system is 50-80kg, the applicable door thickness is  $\geq 30\text{mm}$ , and the height adjustment is  $\pm 2.5\text{mm}$
- 3、 Linkage buffer configuration includes: 1 set of functional parts (functions are selected according to requirements); It is recommended to equip 2 handles (according to the number of door leaves).
- 4、 The optimal load of the linkage buffer system is 60kg - 80kg, the applicable door thickness is  $\geq 30\text{mm}$ , the applicable door width is  $\geq 770\text{mm}$ , and the height adjustment is  $\pm 2.5\text{mm}$



## ZTD100 系列

SLIDING AND FOLDING DOOR HARDWARE SYSTEM

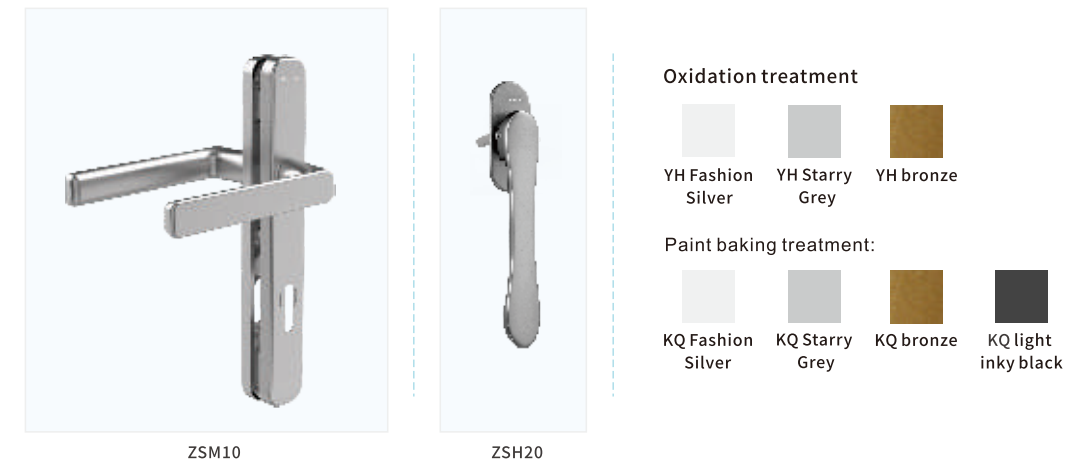


### ZTD100 SLIDING AND FOLDING DOOR HARDWARE SYSTEM

#### ACCESSORIES LIST

Item	Name of accessories	Code	Quantity	Remark
1	Door handle	ZSM10	1	Paint, optional
2	Door lock	ZMS3292/II	1	
3	Coverplate	ZMK13	1	
4	Transmitter	ZDB130	2	
5	Handle	ZSH20	2	Paint, optional
6	Latch bar	ZCX12	4	
7	Lock cylinder	ZMX4747/T	1	Depending on the thickness of the profile
8	Upper hinge system	ZTD100-01	1	Baking varnish
9	Bottom hinge system	ZTD100-02	1	Baking varnish
10	Side hinge	ZTD100-05	9	Baking varnish

#### RECOMMENDED HANDLE



#### CONFIGURATION SPECIFICATION

1. The upper hinge system has the self balancing ability, which makes it easier and smoother to push and pull the door leaf, and can bear the weight from top to bottom.
2. It can meet the odd number of door configurations, such as 431, 633, etc., and the door is 800mm wide, 2400mm high, and weighs no more than 90kg.
3. Please maintain the hardware regularly.



## ZTM100 系列

HEAVY DUTY SLIDING DOOR HARDWARE SYSTEM



## ZTM100 HEAVY DUTY SLIDING DOOR HARDWARE SYSTEM

## ACCESSORIES LIST

Item	Name of accessories	Code	Quantity	Remark
1	Sliding lock	ZTS210SY	2	Oxidation, optional
2	Clasp	ZTK10Y	4	Oxidation, optional
3	handle	ZTL11Y	2	Oxidation, optional
4	Hook lock	ZMSG2820/II	1	
5	Coverplate	ZMK10	1	
6	Lock cylinder box	ZMH10Y	1	oxidation
7	Lock cylinder	ZMX3737/T	1	Depending on the thickness of the profile
8	transmission rod	ZGS10M-L	2	The length specification depends on the door type
9	Latch	ZLM214	4	
10	pulley	ZRM410	8	Depending on the profile
11	Guide pulley	ZDL110	8	Depending on the profile
12	Bumper block	ZFZ11	6	

## RECOMMENDED HANDLE



ZTL11Y



ZTS210SY

See P31 for more options of handle series products

Oxidation treatment



YH Fashion Silver   YH Starry Grey   YH bronze

## CONFIGURATION SPECIFICATION

1. The bearing capacity of pulley is  $\leq 120\text{kg}$ , which is determined according to the specification of pulley block.
2. The lock catch can be made of stainless steel.
3. Hardware products need to be used together. If product quality problems are caused by the use of non CIFIAL brand products will not enjoy relevant after-sales services.

# ZTL100 系列

LIFTING SLIDING DOOR HARDWARE SYSTEM

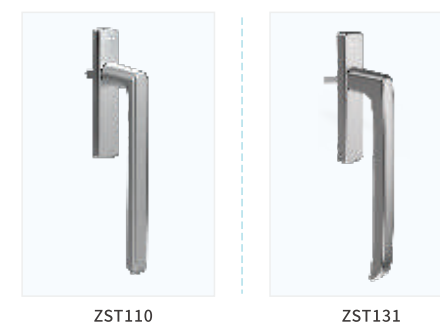


## ZTL100 LIFTING SLIDING DOOR HARDWARE SYSTEM

### ACCESSORIES LIST

Item	Name of accessories	Code	Quantity	Remark
1	Door handle	ZST10	1	Paint, optional
2	Transmission lock	ZTL100-01	1	The total length can be customized
3	Support block	ZTL100-02	8	Height can be customized
4	Rear pulley	ZTL100-03	1	
5	Front pulley	ZTL100-04	1	
6	Latch	ZTL100-05	2	Optional
7	Left positioning block	ZTL100-06L	1	Left and right
8	Right positioning block	ZTL100-06R	1	Left and right
9	Connecting rod	ZTL100-07-400	1	The specification depends on the door type
10	Support base	ZTL100-08	1	Height can be customized
11	Waterproof cover	ZTL100-09	2	
12	Support block	ZTL100-10	3	
13	Left cover plate	ZTL100-11L	1	Left and right
14	Upper cover plate	ZTL100-12	1	
15	Right blocking end	ZTL100-13R	1	Left and right
16	Bumper block	ZFZ13	1	
17	Anti-theft block	ZFD20	1	
18	Plastic cushion block	ZTL100-15	3	

### RECOMMENDED HANDLE



ZST110

ZST131

### CONFIGURATION

1. The maximum weight of the open fan is 300kg, and the weight of the open sash is determined by the bearing wheel.
2. Pay attention to the installation position of the lock catch when selecting profiles.
3. If the handle needs to have a lock cylinder hole, please consult the technician
4. The maximum width of the sash is 3000mm, the maximum opening is 2800mm, and the maximum height of the sash is 2675mm.
5. The middle pulley is recommended for single door with width exceeding 2000mm.





SQUARE  
STEEL  
HANDLE SERIES

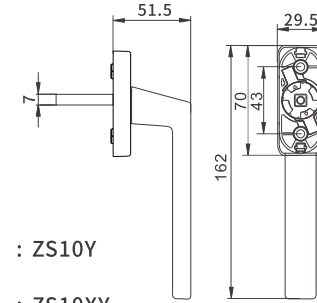
NORDIC MINIMALISM

Square steel handle

Adapting system: casement window & Horizontal pivoting window  
 Technical parameters: exposed square steel 24mm, 42mm

Optional:

- oxidation : ZS10Y
- Amino baking varnish with mechanical sound : ZS10XY
- Oxidation band with Chinese pattern : ZS60Y



- Amino baking varnish : ZS10
- Amino baking varnish with mechanical sound : ZS10X
- Oxidized mechanical vocal cords with Chinese pattern : ZS60XY

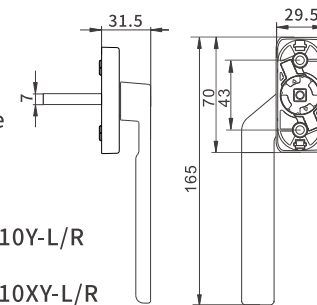


Square steel handle

Adapting system: casement window  
 Technical parameters: exposed square steel 24mm, 42mm,  
 The product has left and right

Optional:

- oxidation : ZSW10Y-L/R
- Amino baking varnish with mechanical sound : ZSW10XY-L/R
- 氧化带中式花纹 : ZSW60Y



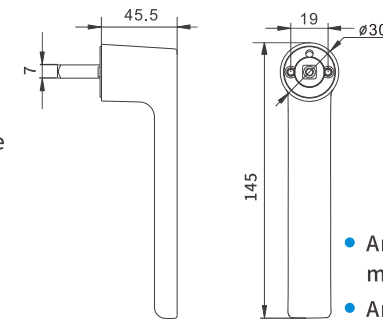
- Amino baking varnish : ZSW10-L/R
- Amino baking varnish with mechanical sound : ZSW10X-L/R
- 氧化机械声带中式花纹 : ZSW60XY-L/R



No base handle

Adapting system: casement window & Horizontal pivoting window  
 Technical parameters: exposed square steel 24mm, 42mm

- oxidation : ZSD10Y
- Amino baking varnish with mechanical sound : ZSD10XY



- Amino baking varnish with mechanical sound : ZSD10X
- Amino baking varnish : ZSD10

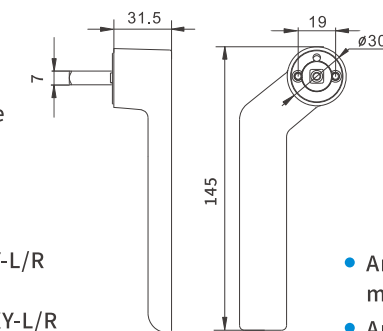


No base handle

Adapting system: casement window  
 Technical parameters: exposed square steel 24mm, 42mm,  
 The product has left and right

Optional:

- oxidation : ZSDW10Y-L/R
- Amino baking varnish with mechanical sound : ZSDW10XY-L/R



- Amino baking varnish with mechanical sound : ZSDW10X
- Amino baking varnish : ZSDW10



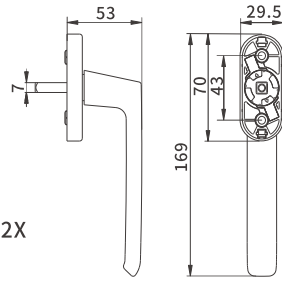
COLORS



NORDIC MINIMALISM



- Amino baking varnish with mechanical sound : ZS22X
- Amino baking varnish : ZS22



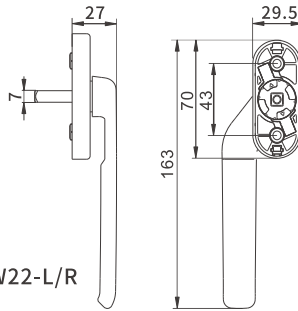
Square steel handle

Adapting system: casement window & Horizontal pivoting window  
 Technical parameters: exposed square steel 24mm, 42mm

- Optional:
- oxidation : ZS22Y
  - Amino baking varnish with mechanical sound : ZS22XY



- Amino baking varnish : ZSW22-L/R
- Amino baking varnish with mechanical sound : ZSW22X-L/R



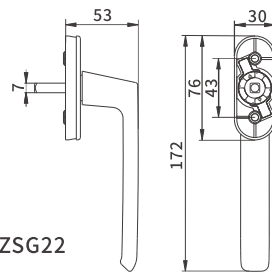
Square steel handle

Adapting system: casement window  
 Technical parameters: exposed square steel 24mm, 42mm,  
 The product has left and right

- Optional:
- oxidation : ZSW22Y-L/R
  - Amino baking varnish with mechanical sound : ZSW22XY-L/R



- Amino baking varnish : ZSG22



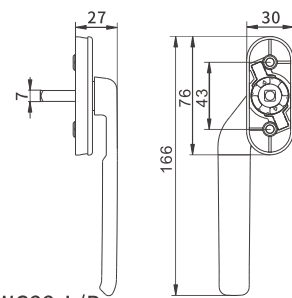
Square steel handle

Adapting system: casement window & Horizontal pivoting window  
 Technical parameters: exposed square steel 24mm, 42mm

- Optional:
- Amino baking varnish with mechanical sound : ZSG22X



- Amino baking varnish : ZSWG22-L/R



Square steel handle

Adapting system: casement window  
 Technical parameters: exposed square steel 24mm, 42mm,  
 The product has left and right

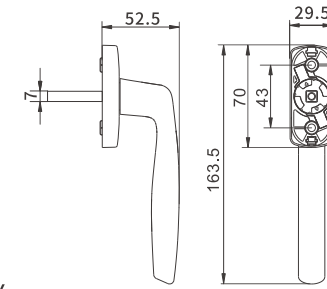
- Optional:
- Amino baking varnish with mechanical sound : ZSWG22X-L/R

ENTRY LUXURY FASHION

Square steel handle

Adapting system: casement window & Horizontal pivoting window  
 Technical parameters: exposed square steel 24mm, 42mm

- Optional:
- oxidation : ZS30Y
  - Amino baking varnish with mechanical sound : ZS30XY



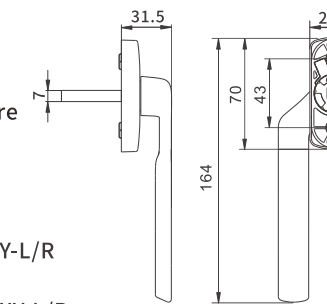
- Amino baking varnish : ZS30
- Amino baking varnish with mechanical sound : ZS30X



Square steel handle

Adapting system: casement window  
 Technical parameters: exposed square steel 24mm, 42mm  
 The product has left and right

- Optional:
- oxidation : ZSW30Y-L/R
  - Amino baking varnish with mechanical sound : ZSW30XY-L/R



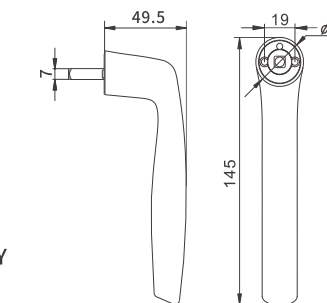
- Amino baking varnish : ZSW30-L/R
- Amino baking varnish with mechanical sound : ZSW30X-L/R



No base handle

Adapting system: casement window & Horizontal pivoting window  
 Technical parameters: exposed square steel 24mm, 42mm

- Optional:
- oxidation : ZSD30Y
  - Amino baking varnish with mechanical sound : ZSD30XY



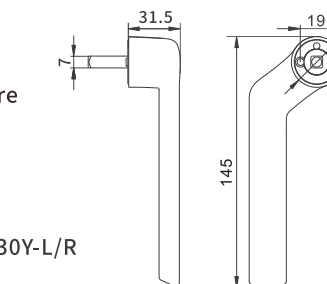
- Amino baking varnish : ZSD30
- Amino baking varnish with mechanical sound : ZSD30X



No base handle

Adapting system: casement window  
 Technical parameters: exposed square steel 24mm, 42mm  
 The product has left and right

- Optional:
- oxidation : ZSDW30Y-L/R
  - Amino baking varnish with mechanical sound : ZSDW30XY-L/R

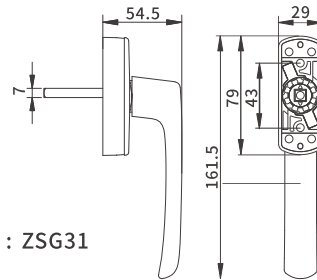


- Amino baking varnish : ZSW30-L/R
- Amino baking varnish with mechanical sound : ZSW30X-L/R





ENTRY LUXURY FASHION

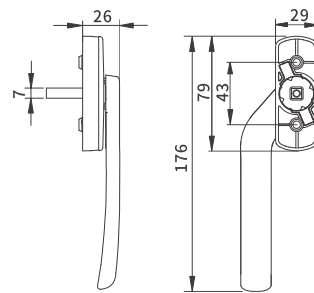


- Amino baking varnish : ZSG31

Square steel handle

Adapting system: casement window & Horizontal pivoting window  
 Technical parameters: exposed square steel 24mm, 42mm

- Optional:
- Amino baking varnish with mechanical sound : ZSG31X

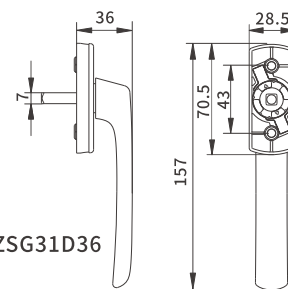


- Amino baking varnish : ZSWG31-L/R

Square steel handle

Adapting system: casement window  
 Technical parameters: exposed square steel 24mm, 42mm  
 The product has left and right

- Optional:
- Amino baking varnish with mechanical sound : ZSWG31X-L/R

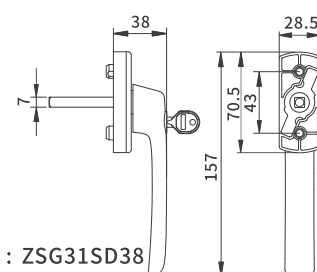


- Amino baking varnish : ZSG31D36

Square steel handle

Adapting system: casement window & Horizontal pivoting window  
 Technical parameters: exposed square steel 24mm, 42mm

- Optional:
- Amino baking varnish with mechanical sound : ZSG31XD36



- Amino baking varnish : ZSG31SD38

Square steel handle

Adapting system: casement window & Horizontal pivoting window  
 Technical parameters: exposed square steel 24mm, 42mm

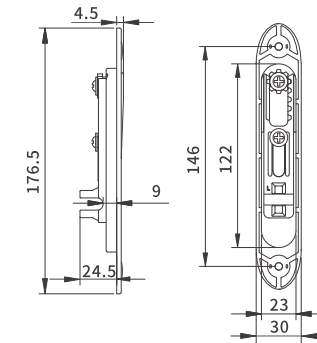
- Optional:
- Amino baking varnish with mechanical sound : ZSG31SXD38

FUNCTION HAND

Concealed handle

Adapting system: screen window  
 Technical parameters: left and right products

- Optional:
- Amino paint key (One key opens) : ZSK721S-L/R



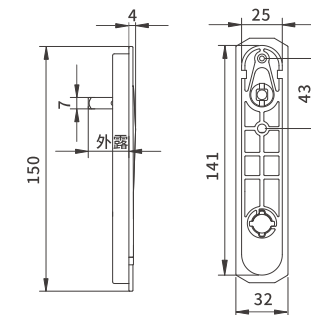
- Amino baking varnish : ZSK721-L/R



Square steel handle

Adapting system: screen window  
 Technical parameters: exposed square steel 25mm

- Optional:
- Amino paint key (One key opens) : ZSK821S

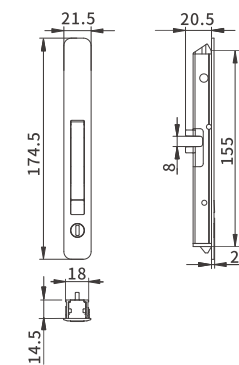


- Amino baking varnish : ZSK821



Hidden spring lock

Adapting system: screen window  
 Technical parameters: the minimum thickness of the selected profile is 15mm



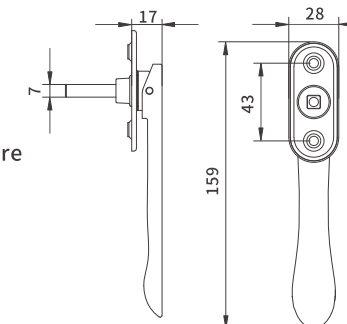
- Oxide key payment : ZSQ20SY



Lifting handle

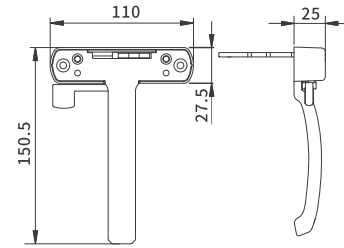
Adapting system: screen & Sliding folding  
 Technical parameters: exposed square steel 20mm, 25mm, 30mm

- Optional:
- Oxidation treatment : ZSH20Y



- Amino baking varnish : ZSH20

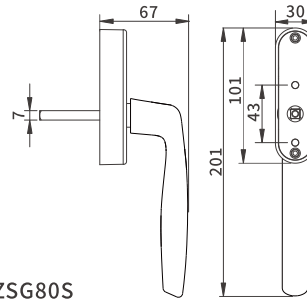




- Amino baking varnish :ZSF181

**Fork handle**

Adapting system: casement window  
 Technical parameters: tongue length exposed 20-60mm



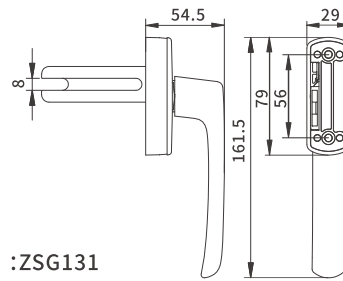
- Amino baking varnish :ZSG80S

**Square steel handle**

Adapting system: casement window & Horizontal pivoting window  
 Technical parameters: exposed square steel 24mm, 42mm

Optional

- Fork handle :ZSG180S



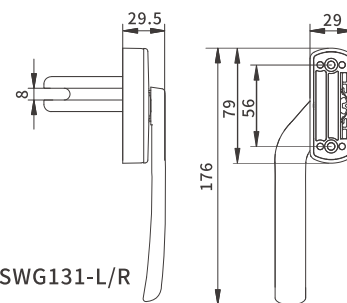
- Amino baking varnish :ZSG131

**Fork handle**

Adapting system: casement window  
 Technical parameters: tongue length exposed 20-70mm

Optional

- Amino baking varnish with mechanical sound : ZSG131X



- Amino baking varnish :ZSWG131-L/R

**Fork handle**

Adapting system: casement window  
 Technical parameters: tongue length exposed 20-50mm  
 The product has left and right

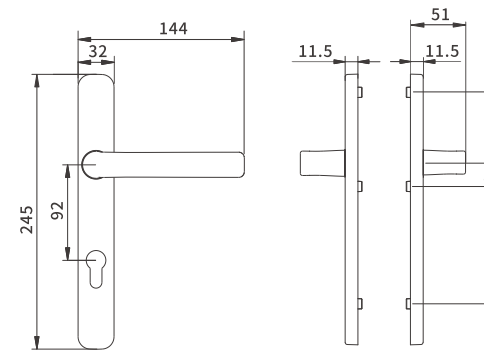
Optional

- Amino baking varnish with mechanical sound : ZSWG131X-L/R

**DOOR HANDLE**

**Door handle**

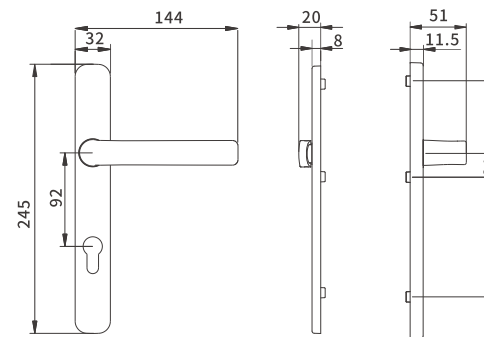
Surface treatment: amino baking varnish  
 Adapting system: swing door  
 Technical parameters: the length of square steel is H+2 \* (15-20) mm, The length ends with 0 and 5 (4 can be rounded but not 5 can be rounded) The length of the screw is H+(10-15) mm, The length ends with 0 and 5 (4 can be rounded but not 5 can be rounded)



- ZSM10

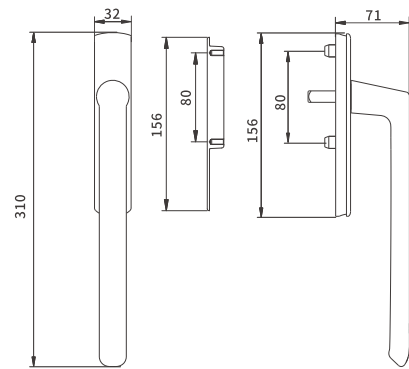
**Door handle**

Surface treatment: amino baking varnish  
 Adaptation system: screen door integrated door



- ZSMS10

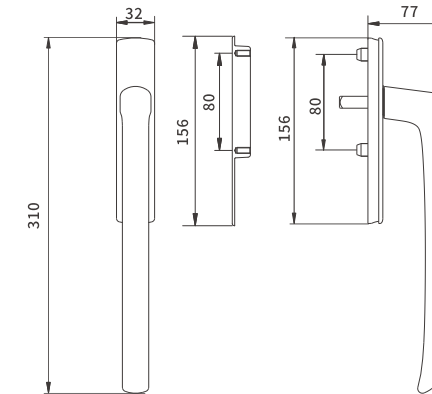




**Door handle**

Surface treatment: amino baking varnish  
Adapting system: lifting sliding door

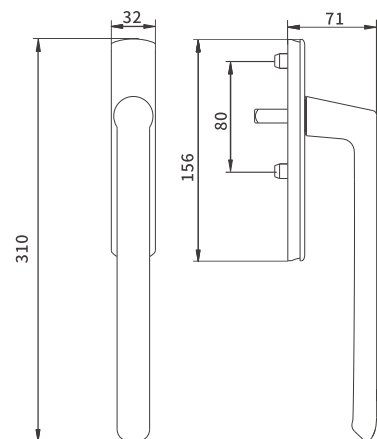
- ZST110



**Door handle**

Surface treatment: amino baking varnish  
Adapting system: lifting sliding door

- ZST131



**Door handle**

Surface treatment: amino baking varnish  
Adapting system: lifting sliding door

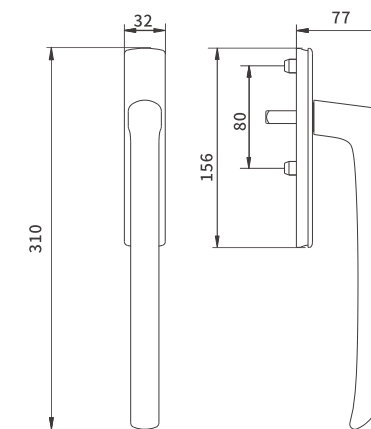
- ZST10

Optional

- Single side with lock cylinder model :ZST10S
- Double side with lock cylinder model :ZST210S

**Door handle**

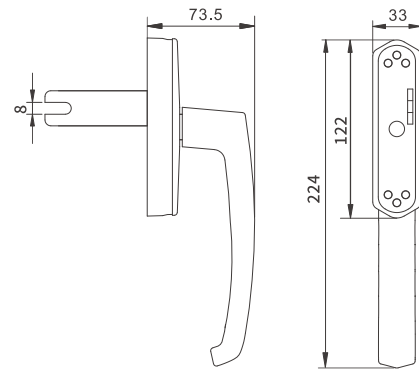
Surface treatment: amino baking varnish  
Adapting system: lifting sliding door



Optional

- Single side with lock cylinder model :ZST31S
- Double side with lock cylinder model :ZST231S

- ZST31



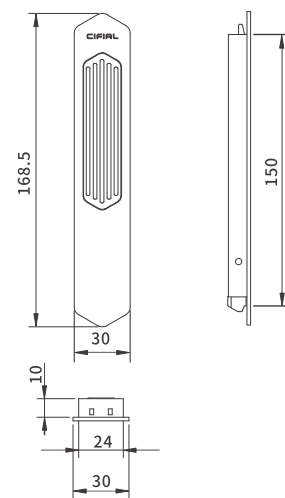
**Door handle**

Surface treatment: amino baking varnish  
 Adapting system: sliding door  
 Technical parameters: tongue length exposed 20-70mm, square steel exposed L=20-80mm (take 5 as the advanced unit)

• Pullout fork : ZSM115

**Optional**

• Square steel : ZSM15



**Clasp**

Surface treatment: amino baking varnish  
 Adapting system: sliding door

• Amino baking varnish : ZTK15



HANDLE  
 &  
 SLIDING LOCK

- Safety
- Durability
- Aesthetics
- Multi-color
- Originality

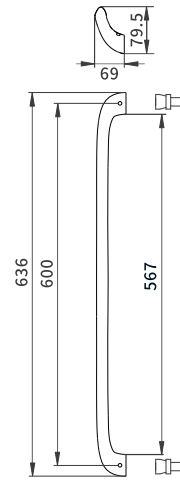
The picture is for reference only,  
 and the product is subject to the real object



HANDLE



• ZTL10Y

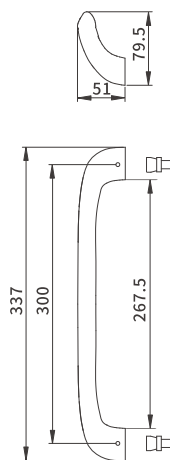


HANDLE

Surface treatment: anodic oxidation  
 Adapting system: sliding D&W  
 Technical parameters: the center distance is 600mm



• ZTL11Y



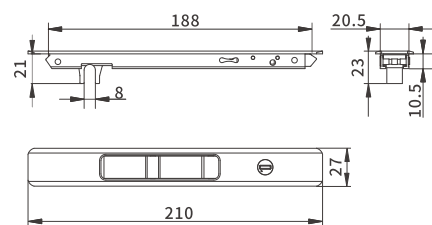
HANDLE

Surface treatment: anodic oxidation  
 Adapting system: sliding door  
 Technical parameters: the center distance is 300mm

SLIDING LOCK



• With lock cylinder :ZTS210SY



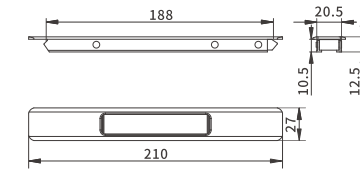
SLIDING LOCK

Surface treatment: anodic oxidation  
 Adapting system: Sliding D&W  
 Technical parameters: adaptive profile thickness 25-35mm, multi-point locking

- Optional
- No lock cylinder :ZTS210Y

HANDLE

Surface treatment: anodic oxidation  
 Adapting system: sliding D&W  
 Technical parameters: adaptive profile thickness  $\geq 25$ mm



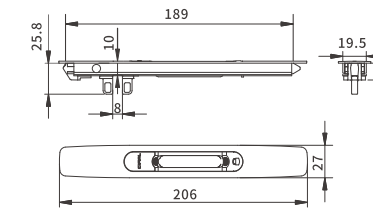
• ZTK10Y



SLIDING LOCK

Surface treatment: amino baking varnish  
 Adapting system: Sliding D&W  
 Technical parameters: the minimum thickness of adaptive profile is 30mm, multi-point locking, and the key cannot be fully opened

- Optional
- With lock :ZTS211S



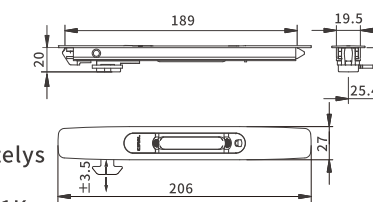
• ZTS211



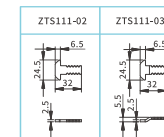
SLIDING LOCK

Surface treatment: amino baking varnish  
 Adapting system: Sliding D&W  
 Technical parameters: the minimum thickness of the adaptive profile is 30mm, The key cannot be fully opened, and the locking hook needs to be ordered separately

- Optional
- Automatic lock :ZTS111K
  - With lock cylinder :ZTS111S
  - Automatic lock belt lock cylinder :ZTS111KS

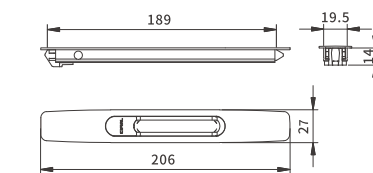


• ZTS111



HANDLE

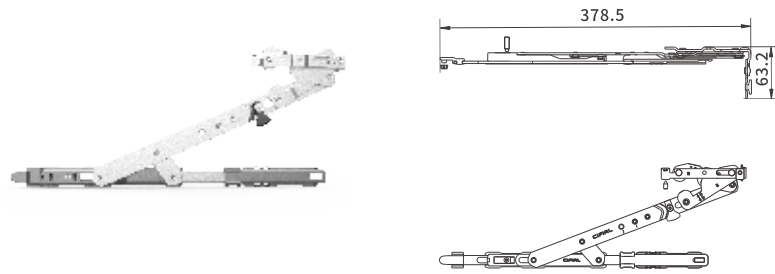
Surface treatment: amino baking varnish  
 Adapting system: Sliding D&W



• ZTK11



HIDDEN WINDOW HINGE



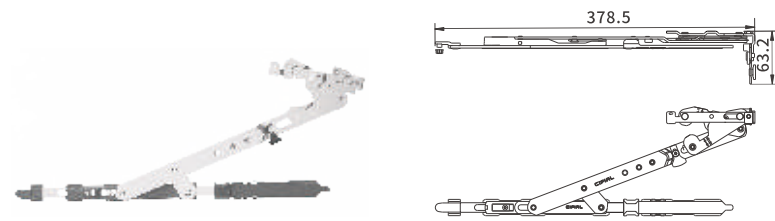
• ZHY610-L/R

HIDDEN WINDOW HINGE

Surface treatment: sanding  
 Adapting system: Horizontal pivoting window  
 Technical parameters: the maximum load is 90kg, which is used together with ZHU620-L/R, and the product has left and right

Optional

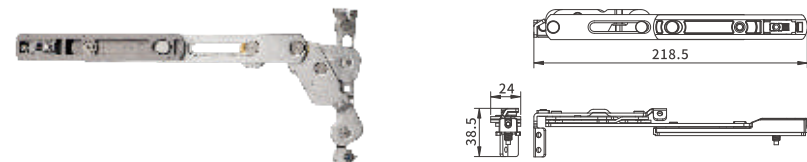
- 23/27 notch model : ZHY610K-L/R



• ZHY612-L/R

HIDDEN WINDOW HINGE

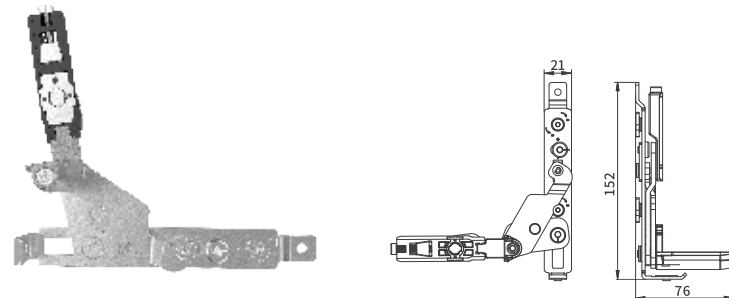
Surface treatment: sanding  
 Adapting system: Horizontal pivoting window  
 Technical parameters: the maximum load is 90kg, which is used together with ZHU620-L/R, and the products have left and right



• ZHY611-L/R

HIDDEN WINDOW HINGE

Surface treatment: sanding  
 Adapting system: open-in casement window  
 Technical parameters: the maximum load is 90kg, which is used together with ZHU620-L/R, and the products have left and right



• ZHY620-L/R

HIDDEN WINDOW HINGE

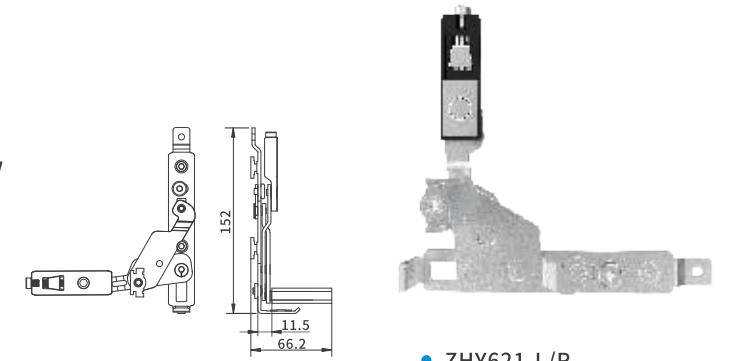
Surface treatment: sanding  
 Adapting system: Horizontal pivoting window & open-in casement window  
 Technical parameters: the maximum load is 90kg, which can be used together with ZHU620-L/R or ZHY611-L/R or ZHY612-L/R, and the product has left and right

Optional

- 23/27 notch model : ZHY620K-L/R

HIDDEN WINDOW HINGE

Surface treatment: sanding  
 Adapting system: open-in casement window  
 Technical parameters: the maximum load is 60kg, one piece for each of the left and right parts, used in sets, and the product has left and right  
 Window type specification: 750 \* 1200 (width \* height), opening angle 100 degrees.



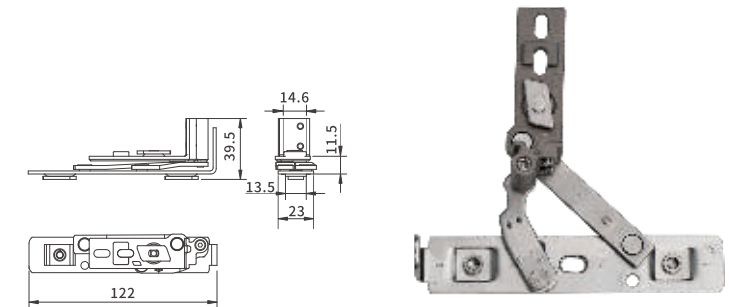
• ZHY621-L/R

HIDDEN SCREEN HINGE

Surface treatment: sanding  
 Adapting system: open-in screen  
 Technical parameters: the maximum load is 10kg, the opening angle is 90°, and the product has left and right

Optional

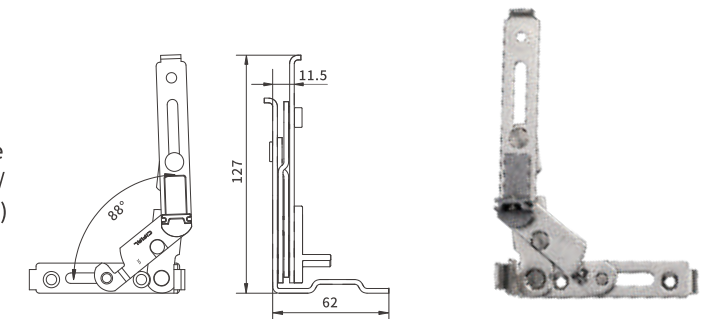
- 23/27 notch model : ZHY510K-L/R



• ZHY510-L/R

HIDDEN SCREEN HINGE

Surface treatment: sanding  
 Adaptation system: screen window (hinge must be used together with wind support/limiter when opening the screen window)  
 Technical parameters: the maximum load is 15kg, the opening angle is 88°, and the product has left and right



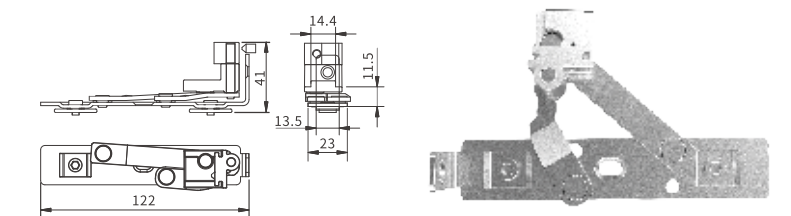
• ZHY511-L/R

HIDDEN SCREEN HINGE

Surface treatment: sanding  
 Adapting system: open-in screen  
 Technical parameters: the maximum load is 10kg, the opening angle is 90°, quick disassembly and assembly, and the product has left and right

Optional

- 23/27 notch model : ZHY512K-L/R

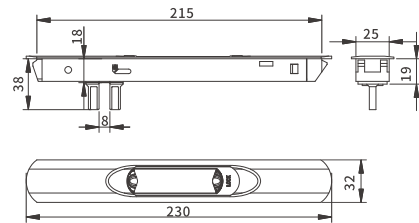


• ZHY512-L/R





• ZTS212Y

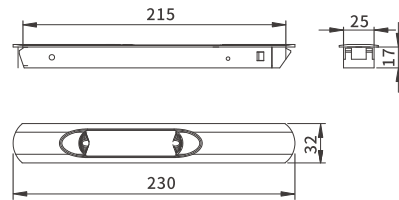


**SLIDING LOCK**

Surface treatment: anodic oxidation  
 Adapting system: Sliding D&W  
 Technical parameters: the minimum thickness of the adaptive profile is 45mm, and the single point/multi-point locking function



• ZTK12Y

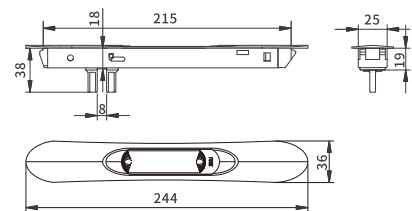


**HANDLE**

Surface treatment: anodic oxidation  
 Adapting system: sliding D&W  
 Technical parameters: the minimum thickness of adaptive profile is 45mm



• ZTS213Y

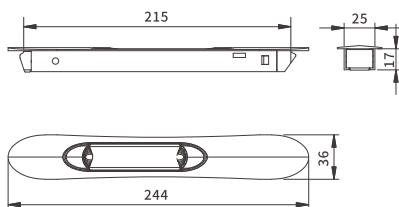


**SLIDING LOCK**

Surface treatment: anodic oxidation  
 Adapting system: sliding D&W  
 Technical parameters: the minimum thickness of the adaptive profile is 45mm, and the single point/multi-point locking function



• ZTK13Y



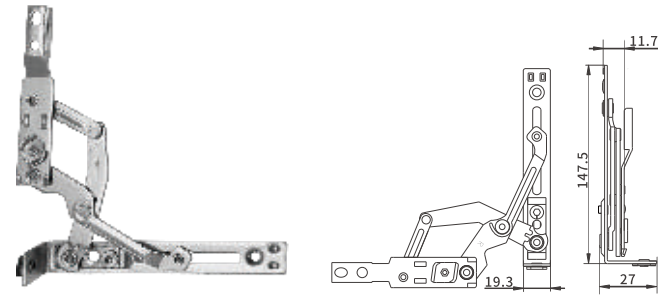
**HANDLE**

Surface treatment: anodic oxidation  
 Adapting system: Sliding D&W  
 Technical parameters: the minimum thickness of adaptive profile is 45mm

CIFIAL 斯飞奥



HINGE SERIES

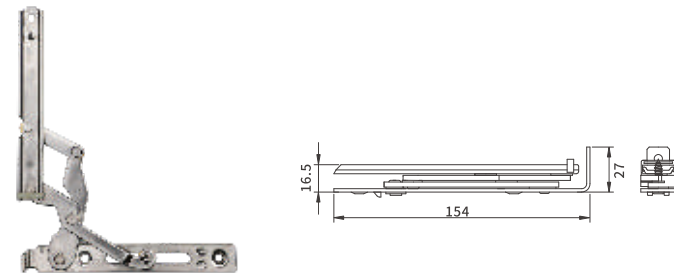


• ZHY513-L/R

**HIDDEN SCREEN HINGE**

Surface treatment: sanding  
 Adapting system: open-in screen  
 Technical parameters: the maximum load is 10kg, the opening angle is 180°, the angle can be adjusted, the assembly and disassembly are fast, and the product has left and right

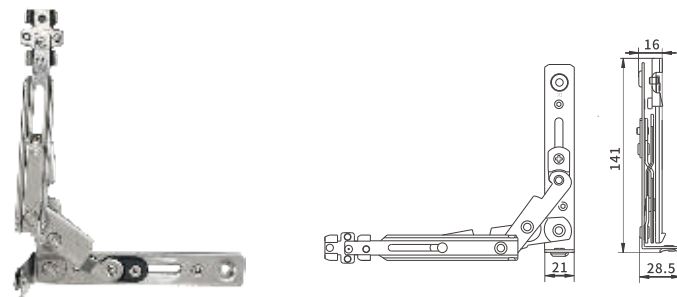
Optional  
 • 23/27 notch model : ZHY513K-L/R



• ZHY514-L/R

**HIDDEN SCREEN HINGE**

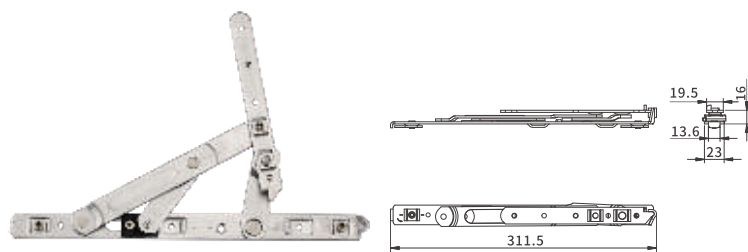
Surface treatment: sanding  
 Adapting system: open-in screen  
 Technical parameters: the maximum load is 10kg, the opening angle is 180°, and the product has left and right



• ZHY515-L/R

**HIDDEN SCREEN HINGE**

Surface treatment: sanding  
 Adaptation system: screen window (hinge must be used together with wind support/limiter when opening the screen window)  
 Technical parameters: the maximum load is 10kg, the angle can be adjusted, the opening angle is 89°, and the product has left and right



• ZHJ10-L/R

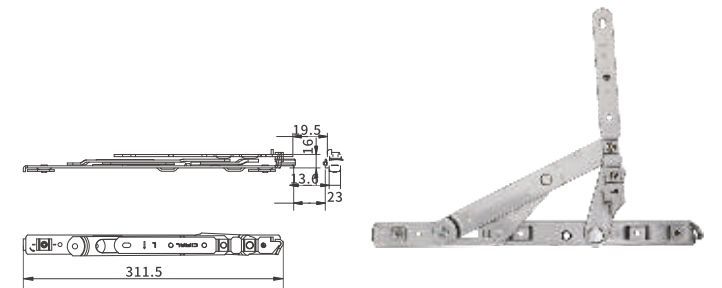
Optional  
 • 23/27 notch model : ZHY513K-L/R

**HINGE**

Surface treatment: sanding  
 Adaptation system: Open-out casement window (used with antifalling device, please close the window in time in bad weather)  
 Technical parameters: the maximum bearing is 60kg (when the window specification exceeds the standard, this bearing is no longer applicable); It can meet the size of window type, window width \* window height: 600 \* 1200 (mm), the product has left and right, low damping hinge

**LOW FRICTION HINGE**

Surface treatment: stainless steel natural color  
 Adaptation system: fireproof top hung window  
 Technical parameters: the maximum load is 60kg, the opening angle is 88°, and it must be used together with other fireproof accessories. the product has left and right

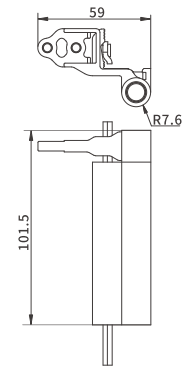


• ZHS10-L/R

**OPEN MOUNTED WINDOW HINGE**

**WINDOW HINGE**

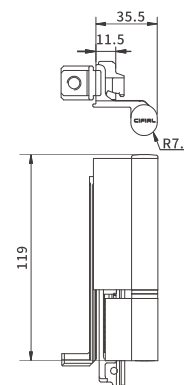
Surface treatment: amino baking varnish  
 Adapting system: Horizontal pivoting window  
 Technical parameters: maximum load bearing 100kg/2PCS, hinge passage: 4-5mm, used together with ZH211-L/R, the product has left and right



• ZH210-L/R

**WINDOW HINGE**

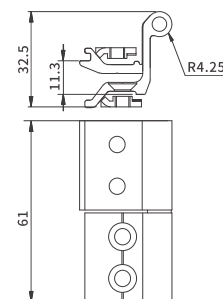
Surface treatment: amino baking varnish  
 Adapting system: Horizontal pivoting window  
 Technical parameters: maximum load bearing 100kg/2PCS, hinge passage: 4-5mm, used together with ZH211-L/R, the product has left and right



• ZH211-L/R

**WINDOW HINGE**

Surface treatment: amino baking varnish  
 Adapting system: open-in screen  
 Technical parameters: maximum load bearing 10kg/2PCS, hinge passage: 3.5-5mm, the product has left and right

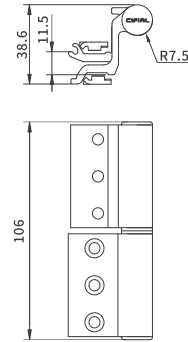


• ZH213-L/R





• ZH214-L/R

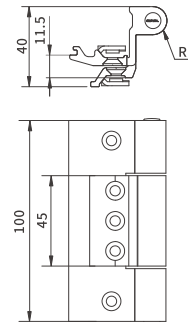


**WINDOW HINGE**

Surface treatment: amino baking varnish  
 Adapting system: Open-in casement window  
 Technical parameters: maximum load bearing 55kg/2PCS, hinge passage: 3.5-5mm, the product has left and right



• ZH310K

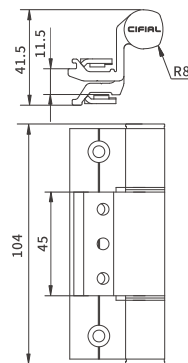


**WINDOW HINGE**

Surface treatment: amino baking varnish  
 Adapting system: Open-in casement window (23/27 notch)  
 Technical parameters: maximum load bearing 60kg/2PCS, hinge passage: 3.5-5mm



• Amino baking varnish :ZH311



**WINDOW HINGE**

Surface treatment: amino baking varnish/ anodizing  
 Adapting system: Open-in casement window  
 Technical parameters: maximum load bearing 80kg/2PCS, hinge passage: 3.5-5mm

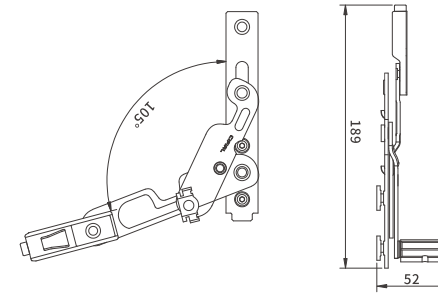
Optional

- Anodic oxidation :ZH311Y

**HIDDEN DOOR HINGE**

**HIDDEN DOOR HINGE**

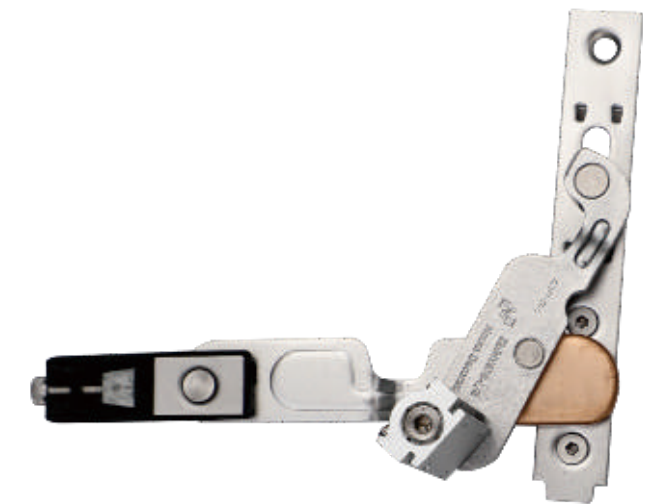
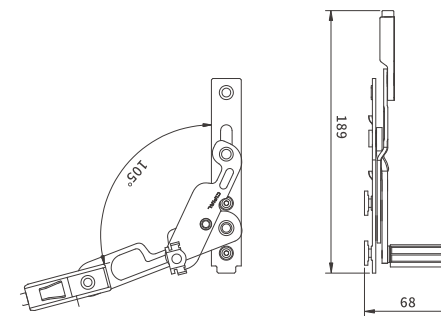
Surface treatment: sanding  
 Adapting system: Swing door  
 Technical parameters: maximum load 120kg, door type specification: 900 \* 2300, one set of ZHY622-SL and ZHY622-XL, one set of ZHY622-SR and ZHY622-XR, and the product has left and right



• 上合页: ZHY622-SL/SR

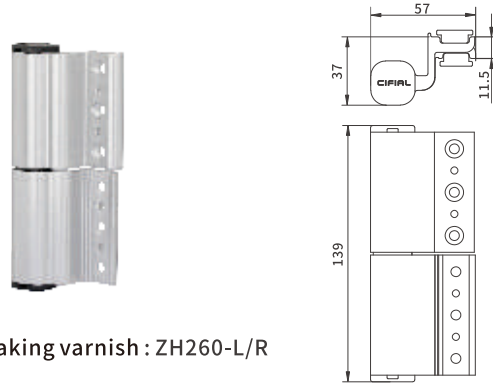
**HIDDEN DOOR HINGE**

Surface treatment: sanding  
 Adapting system: Swing door  
 Technical parameters: maximum load 120kg, door type specification: 900 \* 2300, one set of ZHY622-SL and ZHY622-XL, one set of ZHY622-SR and ZHY622-XR, and the product has left and right



• 下合页: ZHY622-XL/XR

OPEN MOUNTED WINDOW HINGE

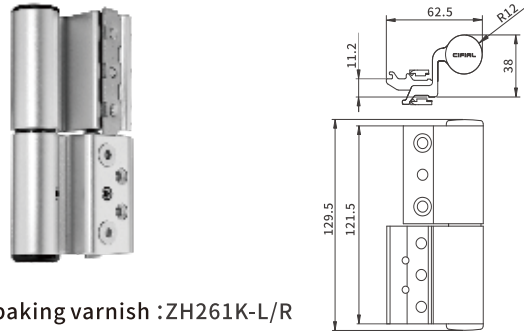


- Amino baking varnish : ZH260-L/R

DOOR HINGE

Surface treatment: amino baking varnish /anodizing  
 Adapting system: Swing door  
 Technical parameters: maximum bearing 130kg/3PCS, hinge passage: 4-5mm, the product has left and right

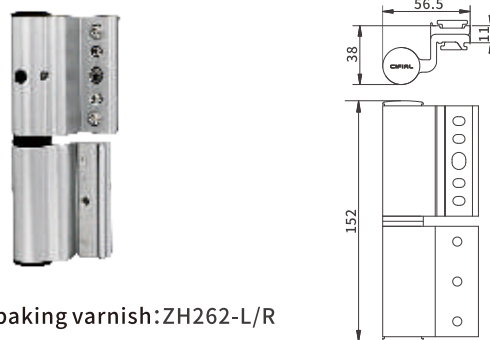
- Optional
- Anodic oxidation : ZH260Y-L/R



- Amino baking varnish : ZH261K-L/R

DOOR HINGE

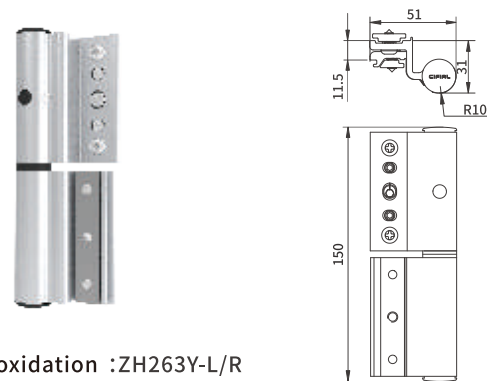
Surface treatment: amino baking varnish  
 Adapting system: Swing door (23/27 notch)  
 Technical parameters: maximum bearing 120kg/3PCS, hinge passage: 3.5-5mm, the product has left and right



- Amino baking varnish: ZH262-L/R

DOOR HINGE

Surface treatment: amino baking varnish  
 Adapting system: Swing door  
 Technical parameters: maximum bearing 150kg/3PCS, hinge passage: 4-5mm, the product has left and right



- Anodic oxidation : ZH263Y-L/R

DOOR HINGE

Surface treatment: anodic oxidation  
 Adapting system: Swing door of frame and sash flush  
 Technical parameters: maximum bearing 120kg/3PCS, hinge passage: 4-5mm, the product has left and right



TRANSMITTER SERIES

- ✓ Safety
- 🛡️ Durability
- 🎨 Aesthetics
- 🌈 Multi-color
- 📦 Originality

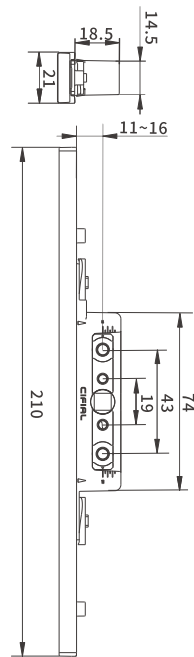
The picture is for reference only, and the product is subject to the real object



TRANSMITTER



• ZDA110T



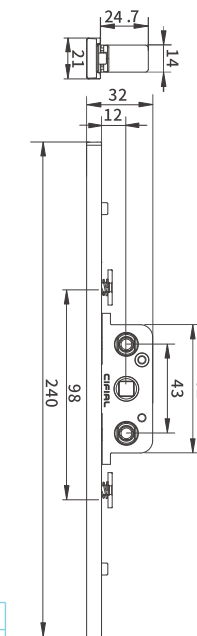
Adjustable center distance driver

Surface color: black  
 Adapting system: Swing door/sliding door  
 Technical parameters: anti pull deflection, one-way single stroke. Suitable for conventional handle and non base handle

- Patented product
- Stepless adjustment of center distance  
 Adjustable range: 11mm-16mm

TRANSMITTER

Surface treatment: silver/black  
 Adapting system: Horizontal pivoting window  
 Technical parameters: center distance 12mm, anti pull deflection, one-way single stroke, used with ZJ110



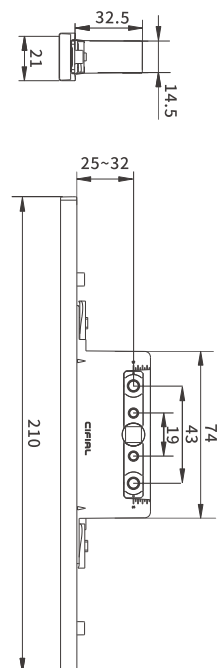
• ZDA210

Optional

Product code	Adapting system	Center distance
ZDA210	Inside opening and inside pouring	12mm
ZDA211	Inside opening and inside pouring	15mm



• ZDA120T



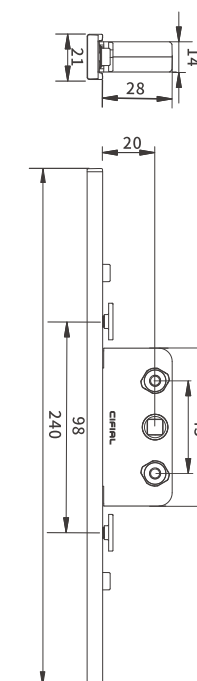
Adjustable center distance driver

Surface color: black  
 Adapting system: Swing door/sliding door  
 Technical parameters: anti pull deflection, one-way single stroke. Suitable for conventional handle and non base handle

- Patented product
- Stepless adjustment of center distance  
 Adjustable range: 25mm-32mm

TRANSMITTER

Surface treatment: silver/black  
 Adapting system: Swing door/sliding door  
 Technical parameters: center distance 20, anti pull deflection, two-way single stroke



• ZDB110

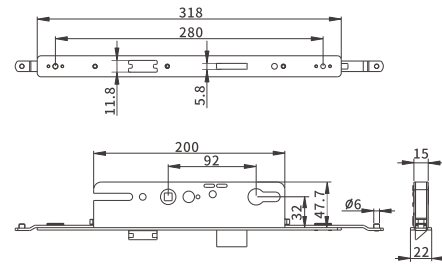
Optional

Product code	Adapting system	Center distance
ZDB110	Flat opening/push-pull	20mm
ZDB111	Flat opening/push-pull	25mm
ZDB113	Flat opening/push-pull	27.5mm
ZDB130	Flat opening/push-pull	30mm
ZDB131	Flat opening/push-pull	35mm

DOOR LOCK



• ZMS3292/I



DOOR LOCK

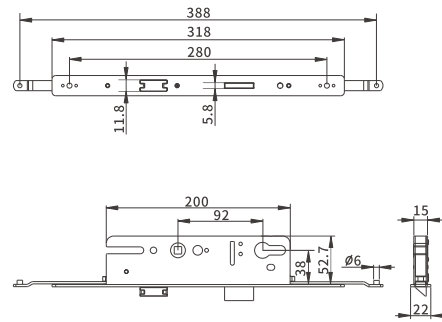
Adapting system: Swing door  
Surface treatment: wire drawing  
Technical parameters: center distance 32mm

Optional

- Single point lock model :ZMS3292/II



• ZMS3892/I



DOOR LOCK

Adapting system: Swing door  
Surface treatment: wire drawing  
Technical parameters: center distance 38mm

Optional

- Single point lock model :ZMS3892/II

Lock cylinder

Adaptation system: sliding door, Swing door

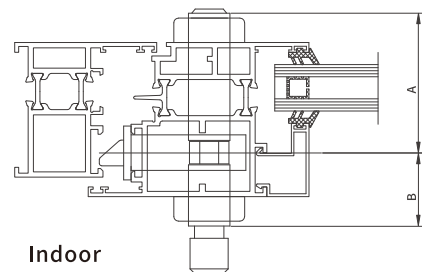
Technical parameters: used together with door lock and hook lock

◆A is the dimension from the exterior wall (key end) to the center

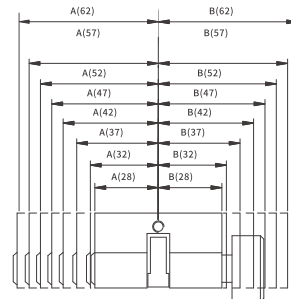
◆B is the dimension from the interior wall (handwheel end) to the center



• ZMXAB/T



Indoor



Optional

- Double sided key: ZMXAB

TRANSMISSION ROD SERIES



- Safety
- Durability
- Aesthetics
- Multi-color
- Originality

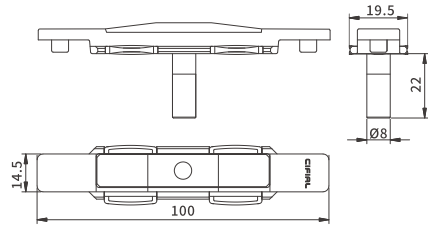
The picture is for reference only, and the product is subject to the real object



MAIN TRANSMISSION ROD



• ZGZ10



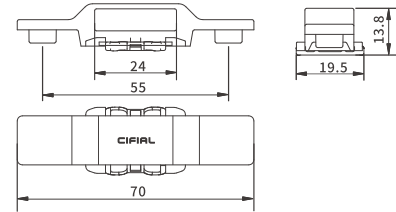
MAIN TRANSMISSION ROD

Adapting system: Casement window  
 Surface treatment: microcrystalline coating (black)  
 Technical parameters: pin length can be customized (standard 22mm)

- Patented product



• ZGZ11

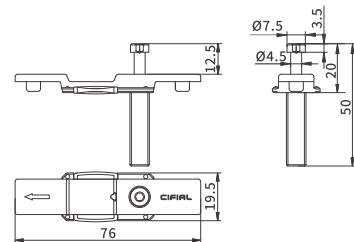


MAIN TRANSMISSION ROD

Adapting system: Open-in casement window/Horizontal pivoting window  
 Surface treatment: microcrystalline coating (black)  
 Technical parameters: used together with the internal split fork handle



• ZGZ12



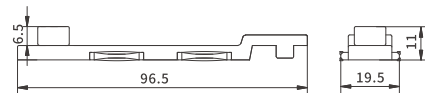
MAIN TRANSMISSION ROD

Adapting system: sliding door/window  
 Surface treatment: microcrystalline coating (black)  
 Technical parameters: pin length can be customized (standard total length is 50mm)

MARGIN TRANSMISSION ROD



• ZGB10G

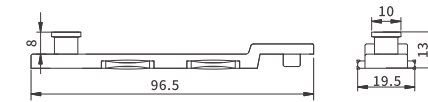


TRANSMISSION ROD

Adapting system: Casement window  
 Surface treatment: microcrystalline coating (black)  
 Product features: rolling lock point

TRANSMISSION ROD

Adapting system: Casement window  
 Surface treatment: microcrystalline coating (black)  
 Product features: rolling mushroom head lock point, anti-theft and anti prying

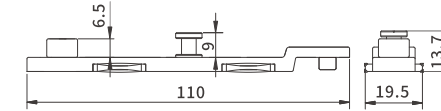


• ZGB10M



TRANSMISSION ROD

Adapting system: Casement window  
 Surface treatment: microcrystalline coating (black)  
 Technical parameters: matching with the lock block ZLP112-L/R  
 Product features: anti-theft and anti prying

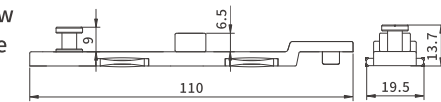


• ZGB12



TRANSMISSION ROD

Adapting system: Casement window  
 Surface treatment: microcrystalline coating (black)  
 Technical parameters: mainly used for one-way transmission, used with ZLP112-L/R

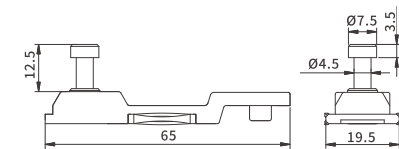


• ZGB13



TRANSMISSION ROD

Adapting system: sliding door/window  
 Surface treatment: microcrystalline coating (black)  
 Technical parameters: the adjustable range of standard lock point height is 12mm-13mm, and the lock point height can be customized

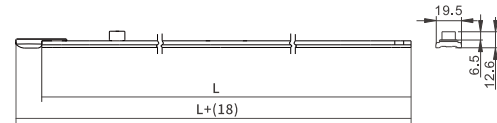


• ZGB14M





• ZGL50G-L

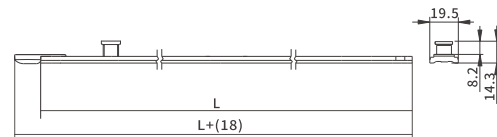


**SIDE TRANSMISSION ROD**

Adapting system: Casement window  
 Product features: rolling lock point, smooth transmission,  
 L value: 200-700mm



• ZGL50M-L

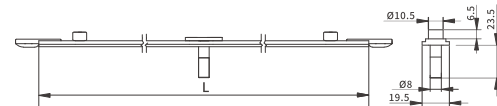


**SIDE TRANSMISSION ROD**

Adapting system: Casement window  
 Product features: rolling lock point, smooth transmission,  
 L value: 200-700mm



• ZGL10G-L



**TRANSMISSION ROD**

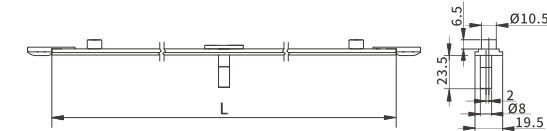
Adapting system: Casement window  
 Technical parameters:  
 L value: 500-1700mm, pin length can be customized (standard 23.5mm)  
 Product features: rolling lock point

Optional

- Mushroom head locking point :ZGL10M-L

**TRANSMISSION ROD**

Adapting system: Casement window  
 Technical parameters: L value: 500-1700mm, pin eccentricity: 2mm, pin length can be customized (standard: 23.5mm)  
 Product features: rolling mushroom head lock point



Optional

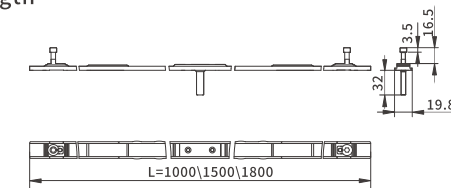
- Cylinder lock point :ZGL11G-L



• ZGL11M-L

**TRANSMISSION ROD**

Adapting system: sliding door/window  
 Technical parameters: the height of the locking point can be customized (standard 16.5mm), The exposed length of pin shaft cannot be customized



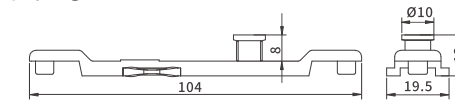
- L=1000/1500/1800



• ZGS10M-L

**MIDDLE TRANSMISSION ROD**

Adapting system: Casement window  
 Surface treatment: microcrystalline coating (black)  
 Product features: rolling mushroom head lock point, anti-theft and anti prying



• ZGZ20M

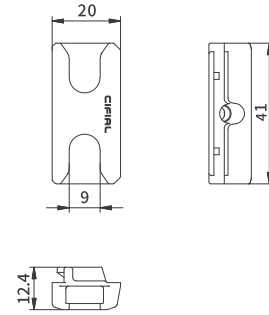




LOCKING PLATE



• C Notch: ZLP110



LOCKING PLATE

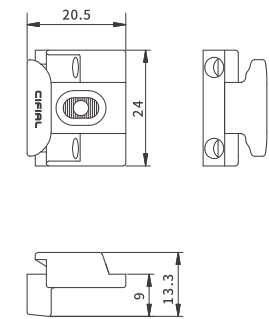
Adapting system: Casement window  
 Surface treatment: microcrystalline coating (black)  
 Technical parameters: matching with transmission rod ZGB10M

Optional

- 23/27 Notch :ZLP110K



• C Notch: ZLP111



LOCKING PLATE

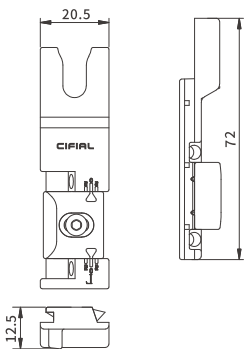
Adapting system: casement window  
 Surface treatment: microcrystalline coating (black)  
 Technical parameters: adjustment amount  $\pm 1.5$

Optional

- 23/27 Notch :ZLP111K



• C Notch: ZLP112-L/R

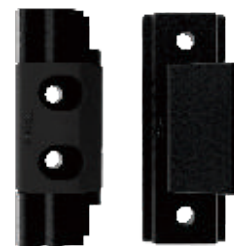


LOCKING PLATE

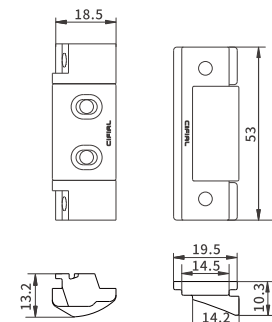
Adapting system: Casement window  
 Surface treatment: microcrystalline coating (black)  
 Technical parameters: adjustment amount  $\pm 1.5$ , the product has left and right

Optional

- 23/27 Notch :ZLP112K-L/R



• ZLP113



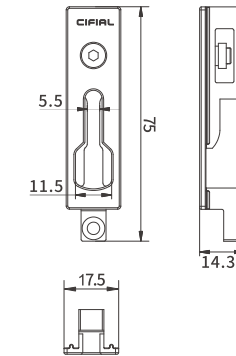
Middle locking plate

Adapting system: Casement window  
 Surface treatment: microcrystalline coating (black)

LATCH SERIES

LATCH

Adapting system: Sliding door  
 Surface treatment: microcrystalline coating (black)  
 Technical parameters: Fixing mode of clamping plate+self tapping screw

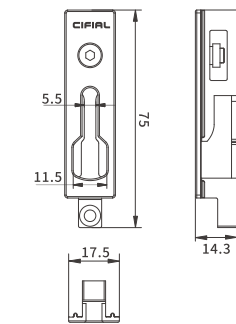


• ZLM211



LATCH

Adapting system: Sliding door  
 Surface treatment: microcrystalline coating (black)  
 Technical parameters: Fixing mode of clamping plate+self tapping screw  
 Product material: stainless steel

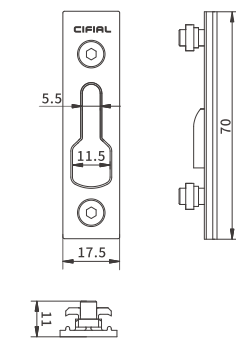


• ZLM212



LATCH

Adapting system: Sliding door  
 Surface treatment: microcrystalline coating (black)  
 Technical parameters: double clamping plate fixing mode

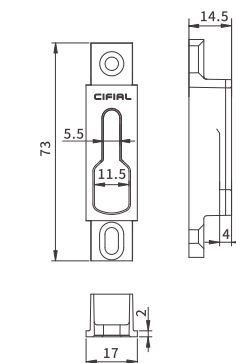


• ZLM213



LATCH

Adapting system: Sliding door  
 Surface treatment: microcrystalline coating (black)  
 Technical parameters: self tapping screw fixation



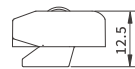
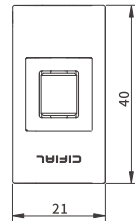
• ZLM214



OTHER



• C Notch code: ZLC10



**SUPPORT BLOCK**

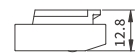
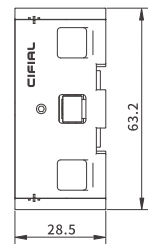
Adapting system: Casement window  
Surface treatment: microcrystalline coating (black)

Optional

- 23/27 Notch code: ZLC10K



• C Notch code: ZLC12



**SUPPORT BLOCK**

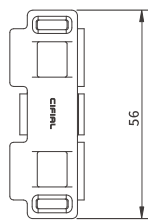
Adapting system: Horizontal pivoting window  
Surface treatment: microcrystalline coating (black)

可选:

- 23/27 Notch code: ZLC12K



• ZLC13



**SUPPORT BLOCK**

Adapting system: Horizontal pivoting window  
Product material: POM

**Limiter**

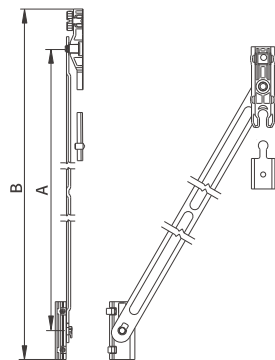
Adapting system: Horizontal pivoting window & casement window  
Technical parameters: the lock base and connecting rod can be separated, which is convenient for window cleaning and maintenance, and limits the opening angle of window sash

Optional

Model	A	B	Applicable window sash width	Opening angle
ZFX10-12	285	364	500	Custom
ZFX10-14	335	414	600	



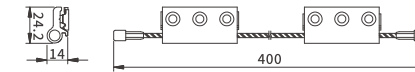
• ZFX10



**ANTI STRIPPING DEVICE**

Surface treatment: microcrystalline coating (black, silver)  
Adapting system: Open-out casement window

Technical parameters: when the window frame is separated from the sash, it can effectively prevent the sash from falling off. When the wind force is  $\geq 5$ , close the window



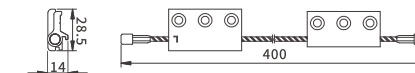
• ZFT11



**ANTI STRIPPING DEVICE**

Surface treatment: microcrystalline coating (black, silver)  
Adapting system: Open-out (casement window (23/27 notch)

Technical parameters: when the frame is separated from the sash, it can effectively prevent the sash from falling off. When the wind force is  $\geq 5$ , close the window the product has left and right

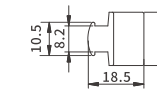
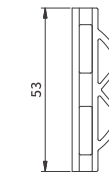


• ZFT11K-L/R



**Collision block**

Adapting system: Sliding door  
Installation position: mounted on the frame

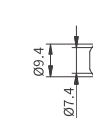
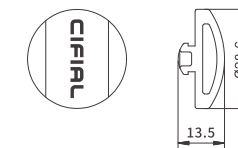


• ZFZ10



**Collision block**

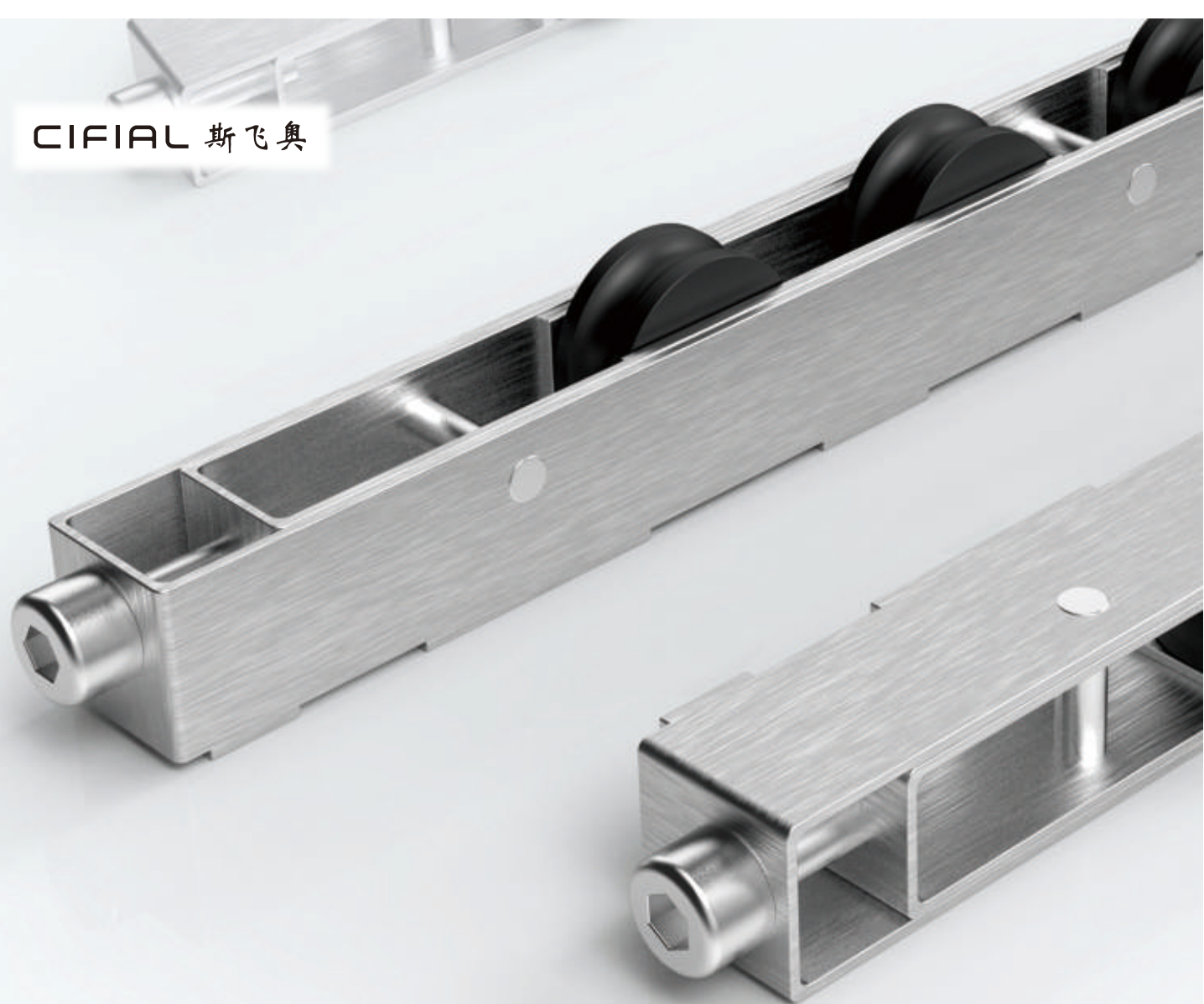
Adapting system: sliding door  
Installation position: installed on the sash



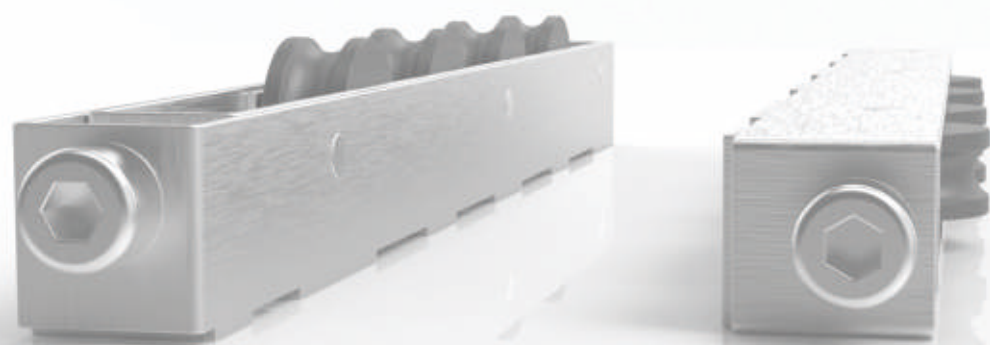
• ZFZ11







ROLLER SERIES



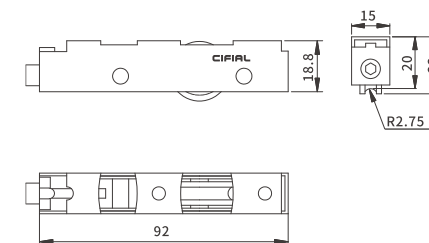
The picture is for reference only,  
and the product is subject to the real object

-  Safety
-  Durability
-  Aesthetics
-  Multi-color
-  Originality

ROLLER

ROLLER

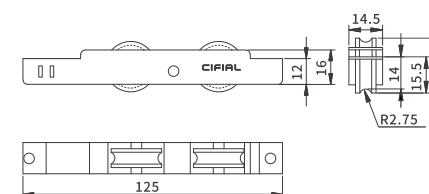
Surface treatment: wire drawing  
Adapting system: sliding window  
Technical parameters: maximum  
load bearing 30kg/2PCS, adjustable  
height of 5mm



• ZRC110

ROLLER

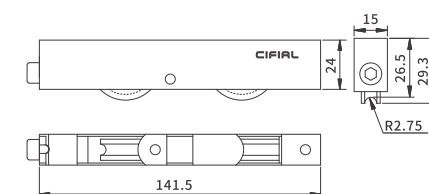
Surface treatment: wire drawing  
Adapting system: sliding window  
Technical parameters: maximum  
load bearing 40kg/2PCS,  
adjustable height of 3mm



• ZRC210

ROLLER

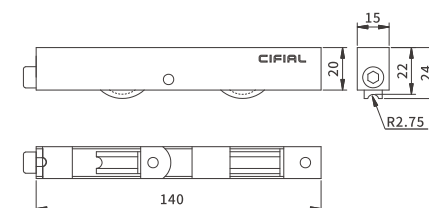
Surface treatment: wire drawing  
Adapting system: sliding window  
Technical parameters: maximum  
load bearing 80kg/2PCS, adjustable  
height of 7mm



• ZRM210

ROLLER

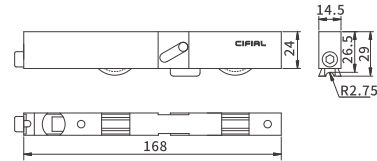
Surface treatment: wire drawing  
Adapting system: sliding door  
Technical parameters: maximum  
load bearing 60kg/2PCS, adjustable  
height of 5mm



• ZRM211



• ZRM212

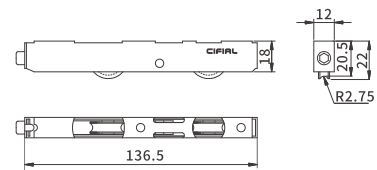


**ROLLER**

Surface treatment: wire drawing  
 Adapting system: sliding door  
 Technical parameters: maximum load bearing 80kg/2PCS, adjustable height of 7mm



• ZRM213

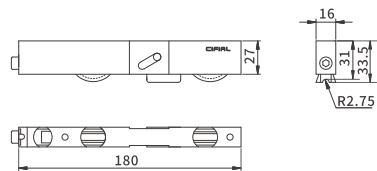


**ROLLER**

Surface treatment: wire drawing  
 Adapting system: sliding door  
 Technical parameters: maximum load bearing 60kg/2PCS, adjustable height of 3mm



• ZRM214

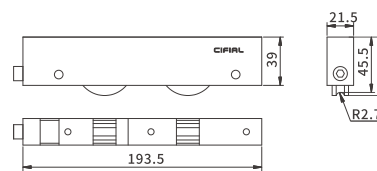


**ROLLER**

Surface treatment: wire drawing  
 Adapting system: sliding door  
 Technical parameters: maximum load bearing 100kg/2PCS, adjustable height of 6mm



• ZRM215

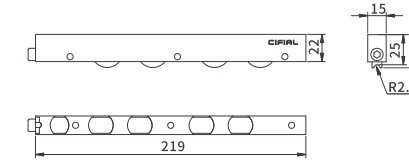


**ROLLER**

Surface treatment: wire drawing  
 Adapting system: sliding door  
 Technical parameters: maximum load bearing 200kg/2PCS, adjustable height of 10mm

**ROLLER**

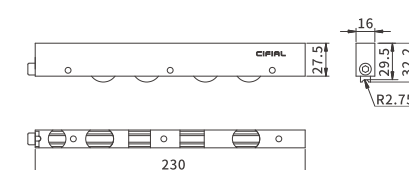
Surface treatment: wire drawing  
 Adapting system: sliding door  
 Technical parameters: maximum load bearing 120kg/2PCS, adjustable height of 7mm



• ZRM410

**ROLLER**

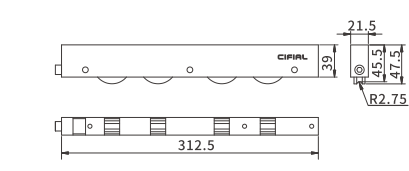
Surface treatment: wire drawing  
 Adapting system: sliding door  
 Technical parameters: maximum load bearing 120kg/2PCS, adjustable height of 7mm



• ZRM411

**ROLLER**

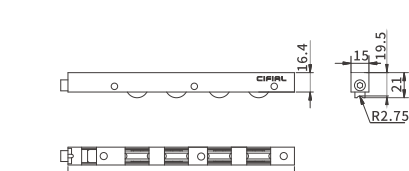
Surface treatment: wire drawing  
 Adapting system: sliding door  
 Technical parameters: maximum load bearing 300kg/2PCS, adjustable height of 10mm



• ZRM412

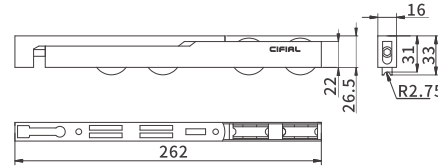
**ROLLER**

Surface treatment: wire drawing  
 Adapting system: sliding door  
 Technical parameters: maximum load bearing 100kg/2PCS, adjustable height of 5mm



• ZRM413

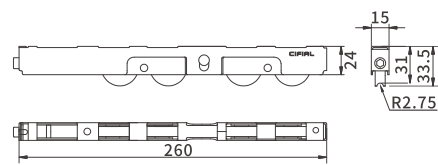




**ROLLER**

Surface treatment: wire drawing  
 Adapting system: sliding door  
 Technical parameters: maximum load bearing 200kg/2PCS, adjustable height of 6mm

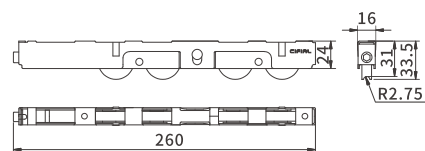
• ZRM414



**ROLLER**

Surface treatment: wire drawing  
 Adapting system: sliding door  
 Technical parameters: maximum load bearing 160kg/2PCS, adjustable height of 5mm

• ZRM415



**ROLLER**

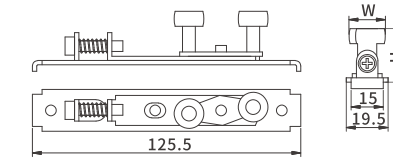
Surface treatment: wire drawing  
 Adapting system: sliding door  
 Technical parameters: maximum load bearing 160kg/2PCS, adjustable height of 5mm

• ZRM416

**GUIDE PULLEY AND BOUNCE WHEEL**

**GUIDE PULLEY**

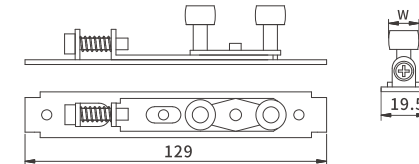
Surface treatment: stainless steel natural color  
 Adapting system: push-pull  
 Technical parameters: W=13-24mm, H optional 19-29mm, with 2 as the advanced unit



• ZDL110

**GUIDE PULLEY**

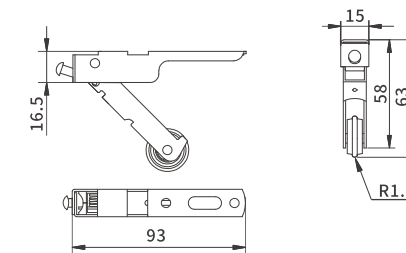
Surface treatment: stainless steel natural color  
 Adapting system: sliding door  
 Technical parameters: W=13-24mm, H optional 19-29mm, with 2 as the advanced unit



• ZDL111

**GUIDE PULLEY**

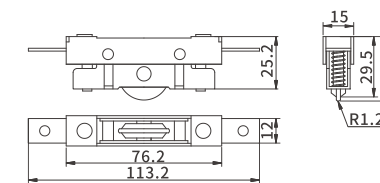
Surface treatment: stainless steel natural color  
 Adapting system: sliding door  
 Technical parameters: the compressibility is 38mm



• ZDL210

**GUIDE PULLEY**

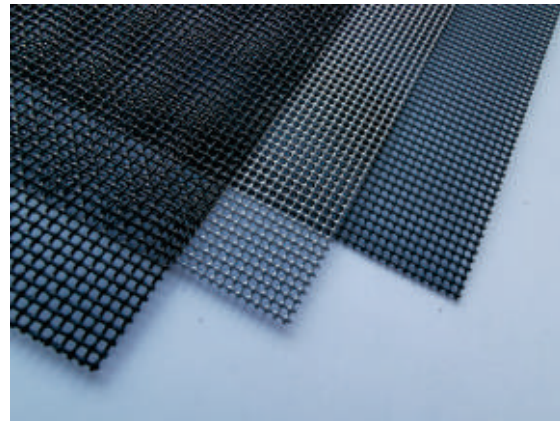
Surface treatment: stainless steel natural color  
 Adapting system: sliding door  
 Technical parameters: the compressibility is 12mm



• ZDL211

YARN MESH

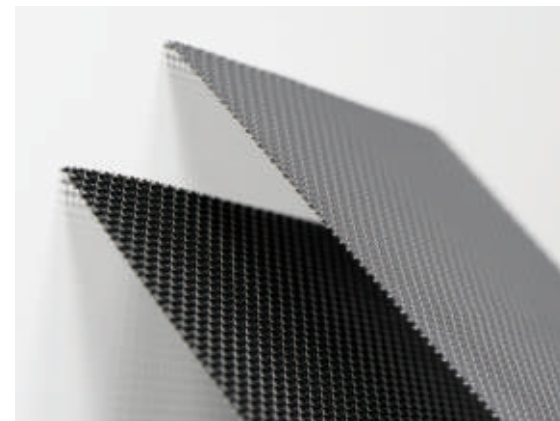
Apennine high strength alloy mesh  
(tool products department 6)



Product material: high-strength alloy steel wire  
Surface color: black/gray  
Width (M) 0.8/0.9/1.0/1.1/1.2/1.3/1.5  
Length (M) 2.4/31.5  
Product characteristics: good ventilation effect, standard anti mosquito mesh number, high pollution, preferred use in coastal cities, cost-effective, user-friendly product

- Number of mesh: 11 mesh/12 mesh/14 mesh

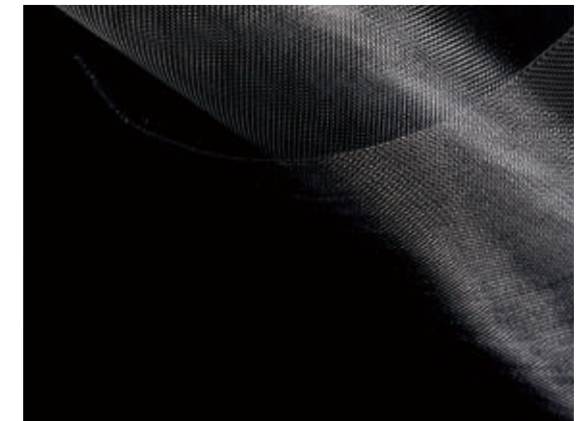
Security Window Screening 304/316  
(tool products department 6)



Product material: 304/316  
Surface color: black/gray/natural color  
Width (M) 0.8/0.9/1.0/1.1/1.2/1.3/1.5  
Length (M) 2.4/31.5  
Product characteristics: it has the obvious advantages of mosquito prevention, safety protection, and more beautiful appearance

- Number of mesh: 10 mesh/11 mesh/12 mesh/13 mesh

High definition invisible screen  
(tool products department 6)



Product material: 304/316  
Surface color: black  
Width (M) 0.6/0.7/0.8/0.9/1.0/1.2/1.5  
Length (M) 30  
Product features: filter technology, effectively prevent ultraviolet ray

- Number of meshes: 18 meshes/20 meshes

Glass fiber mesh  
(tool products department 6)



Product material: glass fiber+PVC resin  
Surface color: grey/black  
Width (M): 0.6-3.0/1.96 feet - 9.84 feet  
Length (M) 30/100/300  
Product characteristics: excellent flame retardancy, long service life, no pollution, no volatile smell, and containing anti ultraviolet components

- Number of meshes: regular (105gsm, 120 gsm, 130 gsm) customized (145 gsm, 165 gsm)